



SUPERNOVA

SERIOUS INTELLIGENCE | PURE POWER



GLARE-FREE



BROADCAST
QUALITY



NO PLASTIC
LENSES



ACTIVE COOLING
SYSTEM



ADVANCED
INTELLIGENCE





KEY FEATURES

- 1450W LED illumination
- 160,000+ lumens
- No plastics used in the light path
- DMX 512 controllability to each fixture
- Glare-reducing, patented single glass optic for even field lighting
- High 90+ CRI color fidelity option
- Built-in over temperature protection
- IP-66 weather-tight housing & system
- Patented cooling ensures years of uninterrupted service
- 120,000+ hour rated LEDs
- IP-66 proprietary power supply with surge protection

SPORTSBEAMS

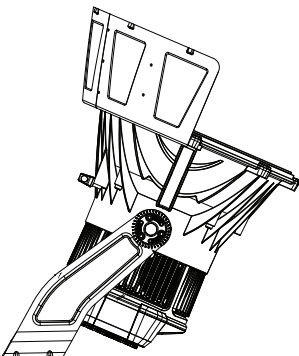
SUPERNOVA

High Lumen Architectural & Sports Lighting Fixture

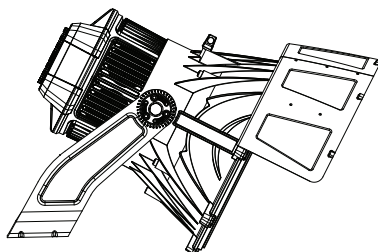
TYPICAL INSTALLATIONS

- Stadiums
- Scholastic Sports Fields
- Municipal Sports Fields
- Building Wall Washes
- High Mast

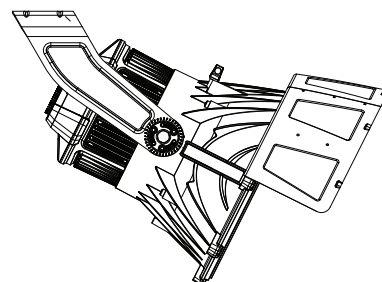
MOUNTING OPTIONS



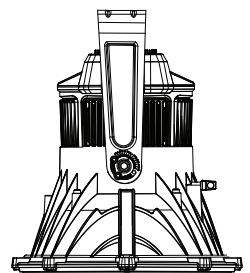
TOP MOUNT UP



TOP MOUNT DOWN

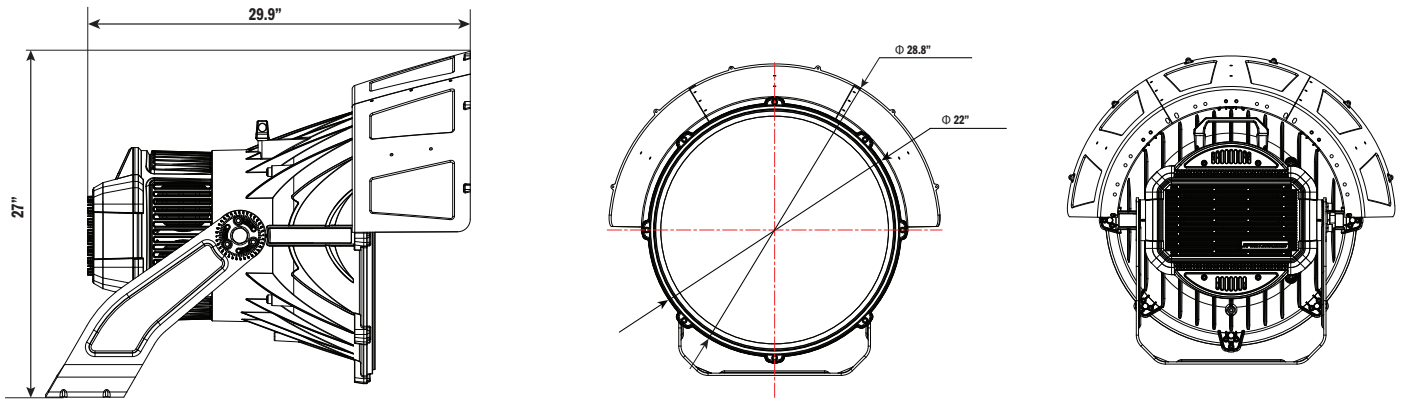


UNDERSLUNG



PENDANT MOUNT

DIMENSIONS



TECHNICAL SPECIFICATIONS¹

LIGHT & OPTICS

LUMEN OUTPUT RANGE	121271 ~ 167977
LUMEN-TO-WATT RANGE	92 ~ 124 lm/W
CRI/TLCI OPTIONS ²	75/75, 80/75, 90/85
CCT OPTIONS	2200K ~ 6000K
NEMA OPTIONS	3/4/5/6/7

ELECTRICAL

SYSTEM POWER	1410W
FREQUENCY RANGE	45~66 Hz
INPUT VOLTAGE	277V ~ 500V
DC VOLTAGE	51V
INPUT CURRENT	5.8A
POWER FACTOR	0.9 @ 277V
THD	<15%
INRUSH CURRENT	<80A
ELECTRICAL CERTIFICATIONS	FCC, CE, ETL, IK08, CB, KC, UL 924
SURGE PROTECTION	L-N 5.5kV ~ L-N-PE 10kV
OVER TEMPERATURE PROTECTION	AUTOMATIC RECOVERY
OVER VOLTAGE PROTECTION	RECOVERY AFTER POWER CYCLE
OVER LOAD PROTECTION:	AUTOMATIC RECOVERY

CONSTRUCTION

OPERATING TEMPERATURE RANGE ³	-50°C to +50°C
USAGE ENVIRONMENTS	INDOOR, OUTDOOR
MOUNTING OPTIONS	PEDESTAL, PENDANT
ENVIRONMENTAL CERTIFICATIONS	ROHS, FCC, SALT SPRAY (MIL-STD-810)
EFFECTIVE PROJECTED AREA (EPA)	3.59(ft ²) WITH OR WITHOUT VISOR
APPROXIMATE WEIGHT ⁴	75lbs

NOTES

(1) Specifications are subject to change without notice
 (2) Values are +/- 5%

(3) Values are +/- 4% when fixture is operated at 25°C ambient
 (4) Weight may vary depending on mounting bracket

NEMA	NATIVE TEMP	CRI	LUMENS
MONO			
3	5700K	75	167977
3	5700K	90	139111
4	5700K	75	162702
4	5700K	90	134743
5	5700K	75	151712
5	5700K	90	125641
6	5700K	75	146435
6	5700K	90	121271

