



SPORTSBEAMS

FIELD LED 1000

COST-COMPETITIVE BROADCAST
LIGHT DESIGNED TO LAST FOR YEARS



GLARE-FREE



BROADCAST
QUALITY



NO PLASTIC
LENSES



OPTIMAL
THERMAL DESIGN



ADVANCED
INTELLIGENCE

FIELD LED 1000

SPORTSBEAMS



KEY FEATURES

- 950W LED illumination
- Up to 116,000+ lumens
- No plastics used in the light path
- DMX controllability to each fixture
- Glare-reducing, patented single glass optic for even field lighting
- High 90+ CRI color fidelity option
- Built-in over temperature protection
- IP-66 weather-tight housing & system
- Patented cooling ensures years of uninterrupted service
- 120,000+ hour rated LEDs
- IP-67 proprietary power supply with surge protection

SPORTSBEAMS

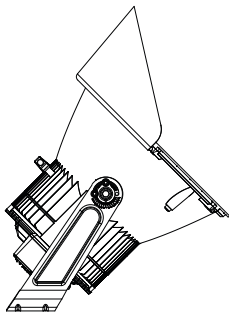
FIELD LED 1000

MONO LED Sports & Architectural Lighting Fixture

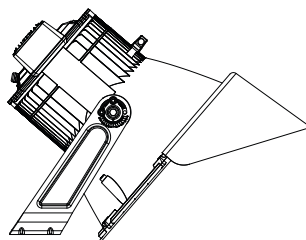
TYPICAL INSTALLATIONS

- Stadiums
- Scholastic Sports Fields
- Arenas and Auditoriums
- Convention Center Halls
- Building Wall Washes
- High Mast

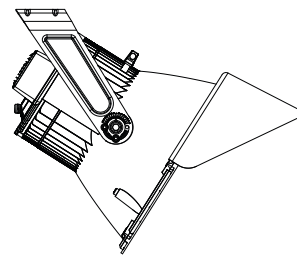
MOUNTING OPTIONS



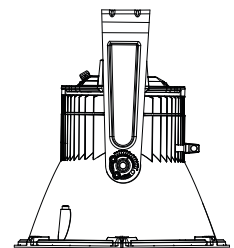
TOP MOUNT UP



TOP MOUNT DOWN

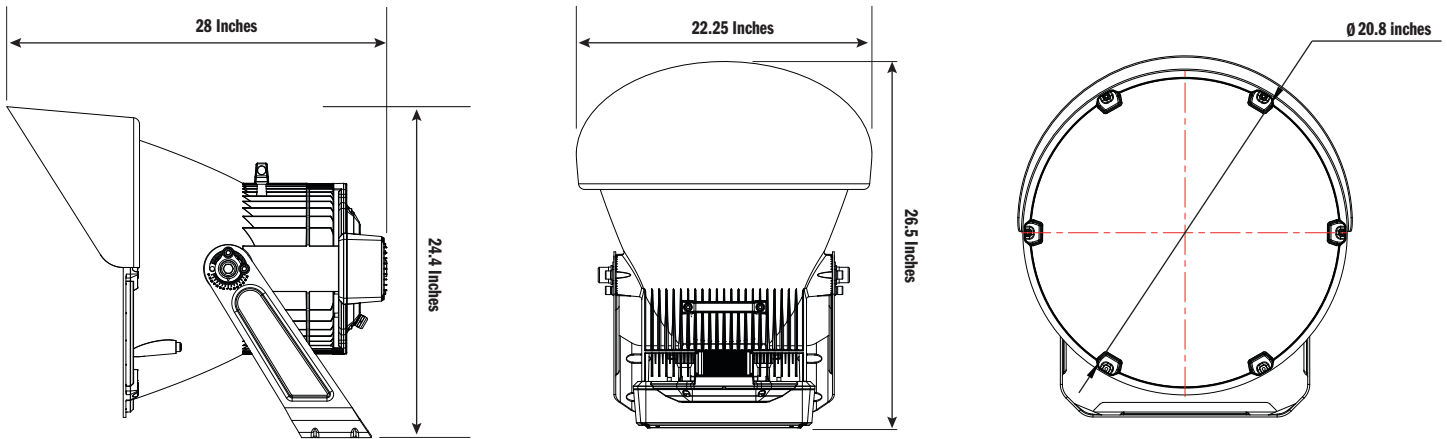


UNDERSLUNG



PENDANT MOUNT

DIMENSIONS



TECHNICAL SPECIFICATIONS¹

LIGHT & OPTICS

LUMEN OUTPUT RANGE	71687 ~ 116408
LUMEN-TO-WATT RANGE	100 ~ 122 lm/w
CRI/TLCI OPTIONS ²	75/75 or 90/85
CCT OPTIONS	2200K ~ 5700K
NEMA OPTIONS	3/4/5/7

ELECTRICAL

SYSTEM POWER ³	950W
FREQUENCY RANGE	45~66 Hz
INPUT VOLTAGE	200V ~ 480V
DC VOLTAGE	51V
CURRENT RANGE	3.5A Max @ 277V
POWER FACTOR	0.9 @ 277V
THD	<20%
INRUSH CURRENT	<35A
ELECTRICAL CERTIFICATIONS	FCC, CE, ETL, IK08, CB, KC, UL 924
SURGE PROTECTION	L-N 5kV ~ L-N-PE 10kV
OVER TEMPERATURE PROTECTION	AUTOMATIC RECOVERY
OVER VOLTAGE PROTECTION	RECOVERY AFTER POWER CYCLE
OVER LOAD PROTECTION:	AUTOMATIC RECOVERY

CONSTRUCTION

OPERATING TEMPERATURE RANGE	-40°C to +40°C
USAGE ENVIRONMENTS	INDOOR, OUTDOOR
MOUNTING OPTIONS	PEDESTAL, PENDANT
ENVIRONMENTAL CERTIFICATIONS	ROHS, FCC, SALT SPRAY (MIL-STD-810)
VIBRATION	ANSI C136.31-2010 3G
EFFECTIVE PROJECTED AREA (EPA)	3.14(ft ²) WITH OR WITHOUT VISOR
APPROXIMATE WEIGHT ⁴	48.5lbs

NOTES

(1) Specifications are subject to change without notice
 (2) Values are +/- 5%

(3) Values are +/- 4% when fixture is operated at 25°C ambient
 (4) Weight may vary depending on mounting bracket

LUMEN CHART

NEMA	TEMP	CRI	LUMENS
2	4000K	75	106,950
2	5000K	75	106,950
2	5700K	75	105,407
2	4000K	90	81,794
2	5000K	90	81,794
2	5700K	90	81,794
3	4000K	75	116,408
3	5000K	75	116,408
3	5700K	75	114,728
3	4000K	90	93,479
3	5000K	90	93,479
3	5700K	90	93,479
4	4000K	75	113,067
4	5000K	75	113,067
4	5700K	75	111,436
4	4000K	90	90,797
4	5000K	90	90,797
4	5700K	90	90,797
5	4000K	75	102,302
5	5000K	75	102,302
5	5700K	75	100,826
5	4000K	90	82,152
5	5000K	90	82,152
5	5700K	90	82,152
7	4000K	75	89,270
7	5000K	75	89,270
7	5700K	75	87,982
7	4000K	90	71,687
7	5000K	90	71,687
7	5700K	90	71,687

ORDERING MATRIX

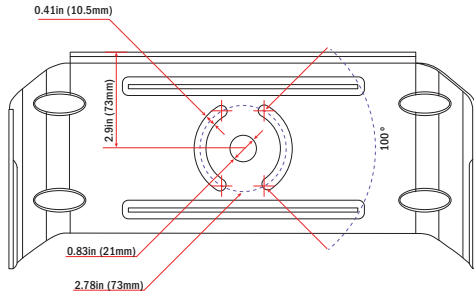
BRAND	FAMILY	MODEL	NEMA TYPE	NATIVE CCT	CRI	MOUNT	FINISH
S	1000	M	4	5700	75	S	G

M = MONO **3** = 3H x 3V **3000** = 3000K **75** = 75CRI **S** = Standard **G** = Gray
C = CHROMA **4** = 4H x 4V **4000** = 4000K **90** = 90CRI **P** = Pendant **BK** = Black¹
 5 = 5H x 5V **5000** = 5000K **W** = White¹
 5700 = 5700K

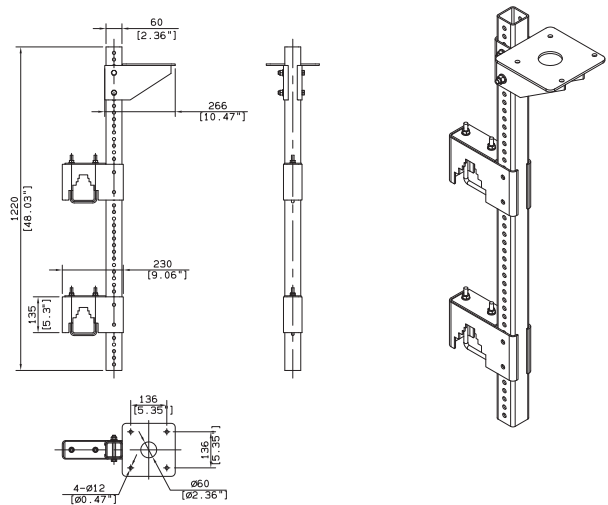
MOST COMMON SKU
S1000-M-4-5700-75-S-G

(1) Any colors other than our standard gray can incur extra costs and increased lead time

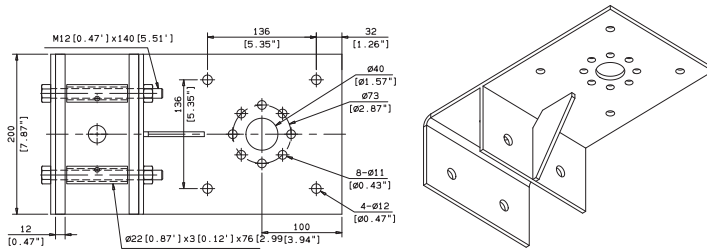
FIXTURE BASE



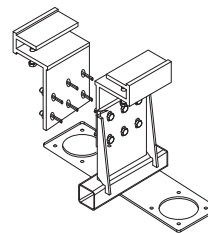
CATWALK MOUNT



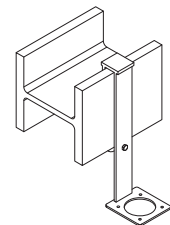
RETROFIT CROSS ARM CLAMP



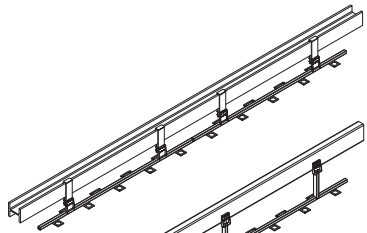
STANDARD I-BEAM MOUNT



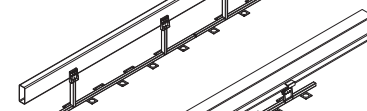
HORIZONTAL I-BEAM MOUNT



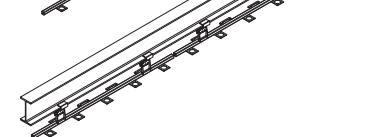
HORIZONTAL I-BEAM MOUNT



RECTANGULAR BEAM MOUNT



I-BEAM MOUNT



3-FIXTURE CROSS ARM FOR POLE

