



SPORTSBEAMS

CHROMABEAMS LED 1000

BROADCAST-QUALITY WHITE
PLUS RED GREEN BLUE IN ONE FIXTURE



GLARE-FREE



BROADCAST
QUALITY



NO PLASTIC
LENSES



OPTIMAL
THERMAL DESIGN



ADVANCED
INTELLIGENCE



COLOR TUNABLE
WHITE



FULL
PRE-MIXED RGB

CHROMOBEAMS LED 1000

SPORTSBEAMS



KEY FEATURES

- 950W LED illumination
- Up to 116,000+ lumens
- Color Tunable from 1800K to 10000K
- Full RGB
- No plastics used in the light path
- DMX controllability to each fixture
- Glare-reducing, patented single glass optic for even field lighting
- Built-in over temperature protection
- IP-66 weather-tight housing & system
- Patented cooling ensures years of uninterrupted service
- 120,000+ hour rated LEDs
- IP-67 proprietary power supply with surge protection

SPORTSBEAMS

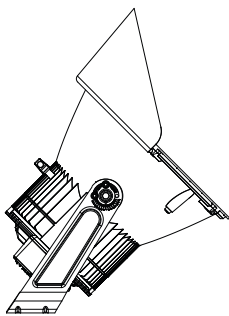
CHROMABEAMS LED 1000

ALL-IN-ONE FULL COLOR LED Sports & Architectural Lighting Fixture

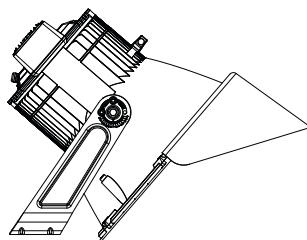
TYPICAL INSTALLATIONS

- Stadiums
- Scholastic Sports Fields
- Arenas and Auditoriums
- Convention Center Halls
- Building Wall Washes
- High Mast

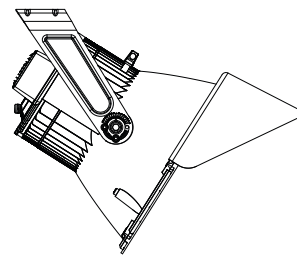
MOUNTING OPTIONS



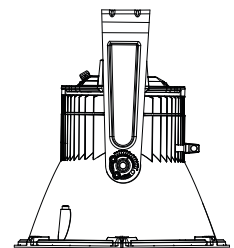
TOP MOUNT UP



TOP MOUNT DOWN

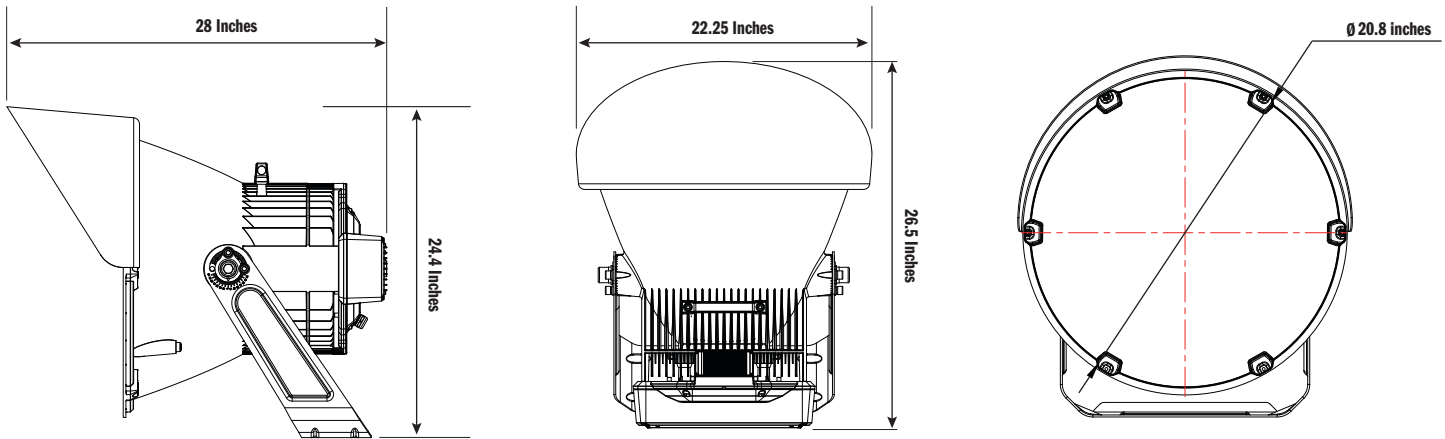


UNDERSLUNG



PENDANT MOUNT

DIMENSIONS



TECHNICAL SPECIFICATIONS¹

LIGHT & OPTICS

LUMEN OUTPUT RANGE	60396 ~ 111600
LUMEN-TO-WATT RANGE	64 ~ 118lm/w
CRI/TLCI OPTIONS ²	75/75 or 90/85
CCT OPTIONS	2200K ~ 5700K
NEMA OPTIONS	3/4/5/7

ELECTRICAL

SYSTEM POWER ³	950W
FREQUENCY RANGE	45~66 Hz
INPUT VOLTAGE	176V ~ 305V or 347V ~ 528V
DC VOLTAGE	51V
CURRENT RANGE	3.4A Max @ 277V
POWER FACTOR	0.95 @ 277V
THD	<20%
INRUSH CURRENT	<35A
ELECTRICAL CERTIFICATIONS	FCC, CE, ETL, IK08, CB, KC, UL 924
SURGE PROTECTION	L-N 5.5kV ~ L-N-PE 11kV
OVER TEMPERATURE PROTECTION	AUTOMATIC RECOVERY
OVER VOLTAGE PROTECTION	RECOVERY AFTER POWER CYCLE
OVER LOAD PROTECTION:	AUTOMATIC RECOVERY

CONSTRUCTION

OPERATING TEMPERATURE RANGE	-40°C to +5 0°C
USAGE ENVIRONMENTS	INDOOR, OUTDOOR
MOUNTING OPTIONS	PEDESTAL, PENDANT
ENVIRONMENTAL CERTIFICATIONS	ROHS, FCC, SALT SPRAY (MIL-STD-810)
VIBRATION	ANSI C136.31-2010 3G
EFFECTIVE PROJECTED AREA (EPA)	3.14(ft ²) WITH OR WITHOUT VISOR
APPROXIMATE WEIGHT ⁴	48.5lbs

NOTES

(1) Specifications are subject to change without notice
 (2) Values are +/- 5%

(3) Values are +/- 4% when fixture is operated at 25°C ambient
 (4) Weight may vary depending on mounting bracket

LUMEN CHART

NEMA	TEMP	CRI	LUMENS
2	4000K	75	90,874
2	5000K	75	106,950
2	5700K	75	104,581
2	4000K	90	75,474
2	5000K	90	88,826
2	5700K	90	86,859
3	4000K	75	94,825
3	5000K	75	111,600
3	5700K	75	109,128
3	4000K	90	78,756
3	5000K	90	92,688
3	5700K	90	90,635
4	4000K	75	88,753
4	5000K	75	104,454
4	5700K	75	102,140
4	4000K	90	73,713
4	5000K	90	86,753
4	5700K	90	84,832
5	4000K	75	83,039
5	5000K	75	97,729
5	5700K	75	95,564
5	4000K	90	68,967
5	5000K	90	81,168
5	5700K	90	79,370
7	4000K	75	72,719
7	5000K	75	85,583
7	5700K	75	83,687
7	4000K	90	60,396
7	5000K	90	71,080
7	5700K	90	69,506

RGB LUMEN CHART

COLOR	LUMENS
RED	4500lm
GREEN	7875lm
BLUE	2565lm

ORDERING MATRIX

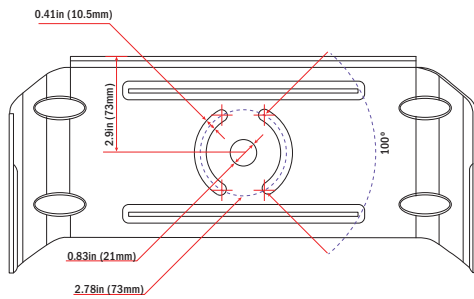
BRAND	FAMILY	MODEL	NEMA TYPE	NATIVE CCT	CRI	MOUNT	FINISH
S	1000	M	4	5700	75	S	G

M = MONO **3** = 3H x 3V **3000** = 3000K **75** = 75CRI **S** = Standard **G** = Gray
C = CHROMA **4** = 4H x 4V **4000** = 4000K **90** = 90CRI **P** = Pendant **BK** = Black¹
 5 = 5H x 5V **5000** = 5000K **W** = White¹
 5700 = 5700K

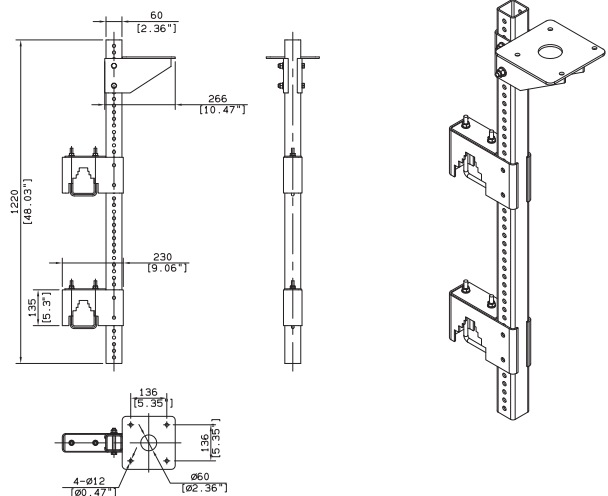
MOST COMMON SKU
S1000-M-4-5700-75-S-G

(1) Any colors other than our standard gray can incur extra costs and increased lead time

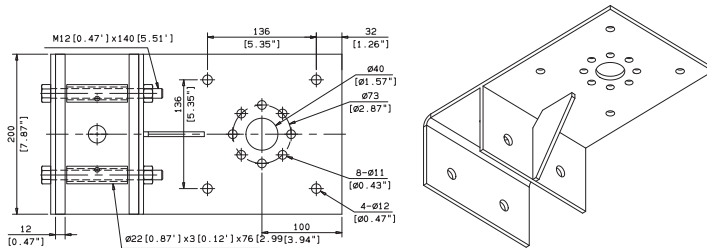
FIXTURE BASE



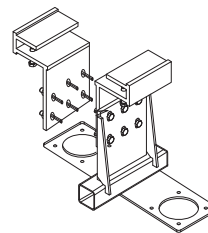
CATWALK MOUNT



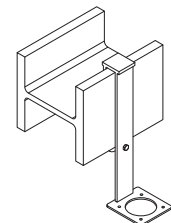
RETROFIT CROSS ARM CLAMP



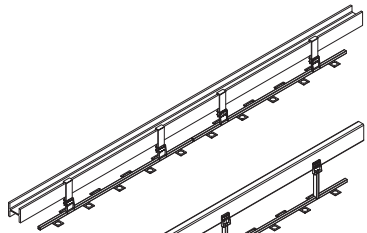
STANDARD I-BEAM MOUNT



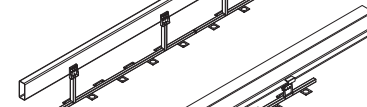
HORIZONTAL I-BEAM MOUNT



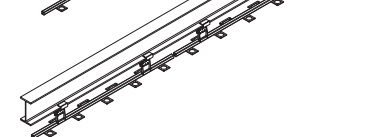
HORIZONTAL I-BEAM MOUNT



RECTANGULAR BEAM MOUNT



I-BEAM MOUNT



3-FIXTURE CROSS ARM FOR POLE

