

# FIELD LED 900

**MORE POWER.  
MORE COOLING.**



**COLOR TUNABLE  
WHITE**



**GLARE-FREE**



**BROADCAST  
QUALITY**



**NO PLASTIC  
LENSES**



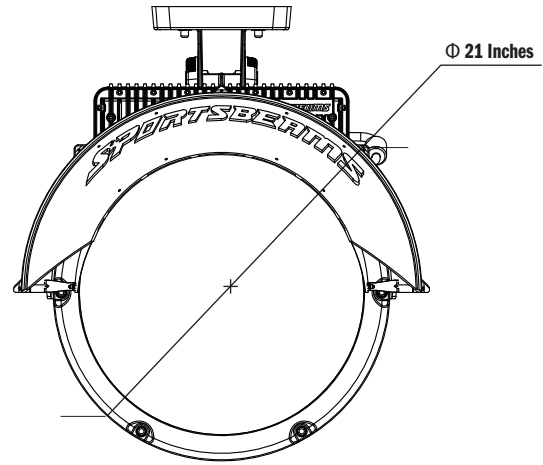
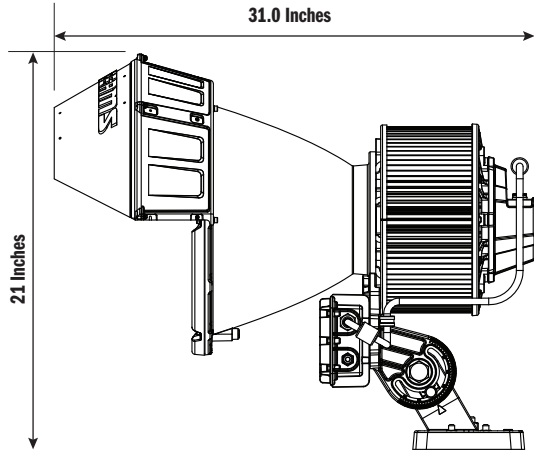
**ACTIVE COOLING  
SYSTEM**



**ADVANCED  
INTELLIGENCE**

- 880W LED illumination
- Color Tunable White Lights
- Patented cooling system
- 106,000+ lumens delivered
- 70 CRI - 90 CRI
- No Plastics in Light Path, or Housing
- Direct DMX Controllable

# DIMENSIONS



## GENERAL SPECIFICATIONS

PRODUCT NAME	FIELD LED 900
BEAM TYPES	NEMA 3, NEMA4, NEMA5, NEMA6
APPLICATION	Indoor/Outdoor Sports Lighting
IP GRADE	IP66
AMBIENT TEMPERATURE	-40 ° F to +122 ° F
CERTIFICATIONS	CE, ETL, ROHS, LM79, 3G, UL, ik08, CB, KC, UL 924

## MECHANICAL

DIMENSIONS	31" x 21" x 21"
MOUNTING	Yoke Mount
YOKE MATERIAL	Aluminum Alloy
PCB MATERIAL	MCPCB
LAMP HOUSING MATERIAL	Aluminum Alloy
LENS MATERIAL	Tempered Glass
LENS TYPE	Transparent & Diffusive
FIXTURE WEIGHT	55 lbs
WIND LOAD	EPA @ front = 1.73 with visor

## POWER SUPPLY

INPUT	Voltage Range	177V - 305V, 320 - 480V
	Frequency Range	50-60 Hz
	PF	>0.95
	THD	<15%
	Inrush Current	>40A
	Operation Current	4.2A@220V; 2.9A@480V
	Maximum Power	930W
OUTPUT	DC Voltage	51V
	Current Range	16.8A
PROTECTION	Overload	YES
	Over Voltage	YES
	Over Temperature	YES
	IP -Grade	IP-66
	Surge Protection	L-N 5.5KV, LN-PE 11KV

## LIGHT ENGINE

CCT	2700k to 6500k (option)
CRI	70 80 90 (option)
LUMINAIRE EFFICIENCY	≥120LM/W (70CRI)
DELIVERED LUMENS	106,099
FLICKER	<1%
DIMMING	0~100%
LUMEN MAINTENANCE (LED)	L80 ≥100,000 hrs
DIMMING RESOLUTION	<1W



1.888.905.6680

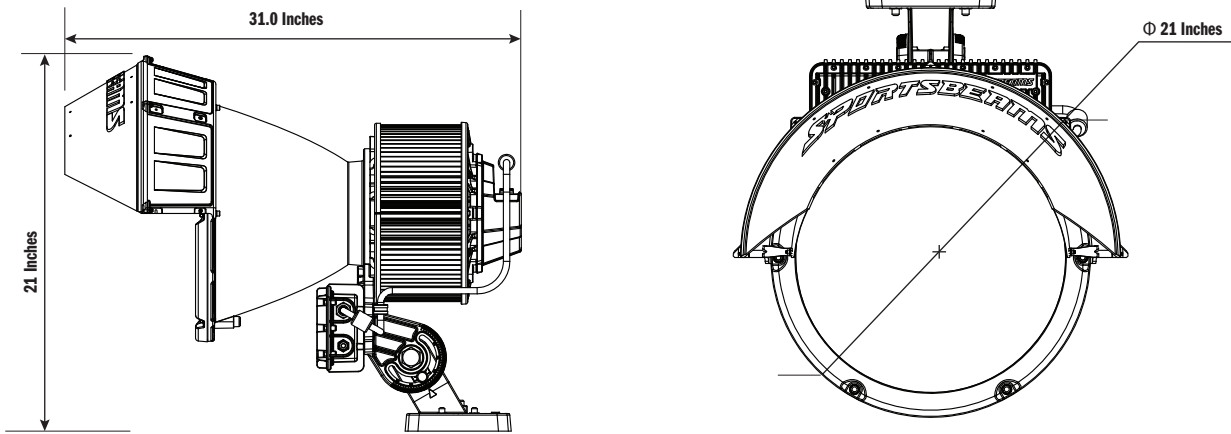
sales@sportsbeams.com | www.sportsbeams.com



<b>PROJECT NAME:</b>	<b>TYPE:</b>
<b>PREPARED BY:</b>	<b>DATE:</b>

<b>DRIVER INFO:</b>		<b>LED INFO:</b>	
Type	..... Constant Voltage	Watts	..... 880W
177V - 305V	..... Available	Color Temp	..... 2700 to 6500
320V - 525V	..... Available	Color Accuracy	..... 70 to 90+ CRI
Input Watts	..... 880W	L80 Lifespan	..... 100,000
Current Range	..... 16.8A	Maximum Lumen	..... 106,099
Output DC	..... 51V	Maximum Efficacy	..... 120 LPW
Efficiency	..... 93%		
THD	..... <15%		

## DIMENSIONS



## TECHNICAL SPECIFICATIONS

### CERTIFICATIONS

#### UL Listing:

Suitable for wet locations.

#### Other Certifications:

CE, ETL, ROHS, LM79, 3G, UL, ik08, CB, KC, UL 924



### OPTICAL

#### Optics Types:

Symmetrical  
Asymmetrical (w/visor)

#### NEMA Types:

NEMA 2W, NEMA 3, NEMA 4, NEMA 5, NEMA 6

### LED

#### Dimming:

0 ~ 100%

#### Flicker:

<1%

### CONSTRUCTION

#### IP Rating:

Ingress protection rating of IP66 for dust and water

#### Maximum Ambient Temperature:

Suitable for use in +122°F

#### Effective Projected Area:

EPA = 1.73 with visor, 1.93 without visor

#### Thermal Management:

Heat Sink, Heat Pipes, Industrial Fan

#### Lens:

Tempered glass, transparent & diffusive

#### Housing:

Aluminum Alloy

#### Mounting:

High grade steel yoke mount

#### Reflector:

Parabolic Reflector

#### Weight:

55lbs

### ELECTRICAL

#### Ballast Volts:

177-305V & 320-525V

#### Drivers:

Inrush Current: <40A

Operating Current 4.2A@220V; 2.9A@480V

Voltage: 177-305V, 320-525V

Surge Protection: L-N 5.5KV, L/N-PE 11KV

Over Voltage Protection: Yes, Adjustable

Over Temperature Protection: Yes, Automatic

PF: >0.9

THD < 15%

### OTHER

#### Control:

Direct DMX with M/F XLR 3-Pin Connectors

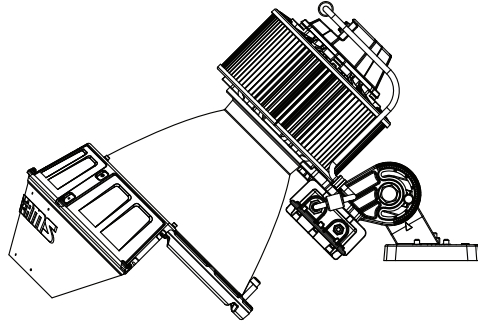
#### Warranty:

10 Years Standard, Others Available

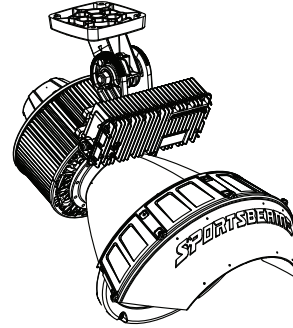
#### Visor:

Included

**MOUNTING OPTIONS**



**TOP MOUNT**



**UNDERSLUNG**

**ORDERING MATRIX**

	WATTAGE	NEMA TYPE	COLOR TEMP	CRI	DRIVER OPTION	FINISH
<b>S</b>	<b>900</b>	<b>3</b>	<b>5700*</b>	<b>70*‡</b>	<b>277*</b>	<b>G</b>
		<b>3 = 3H x 3V</b>	<b>2700 = 2700k</b>	<b>70 = 70CRI</b>	<b>277 = 177V - 305V</b>	<b>G = Gray</b>
		<b>4 = 4H x 4V</b>	<b>3000 = 3000k</b>	<b>80 = 80CRI</b>	<b>480 = 320V - 525V</b>	
		<b>5 = 5H x 5V</b>	<b>3500 = 3500k</b>	<b>90 = 90CRI</b>		
		<b>6 = 7H x 7V</b>	<b>4000 = 4000k</b>			
			<b>5000 = 5000k</b>			
			<b>5700 = 5700k</b>			
			<b>6500 = 6500k</b>			

\*Standard Configuration  
‡70CRI min/77CRI max

**SAMPLE SKU**  
**S900-3-5700-70-277-G**

**KEY FEATURES**

- 880W LED illumination
- 106,000+ lumens delivered
- No plastics used in the light path
- Ethernet-to-DMX controllability to each fixture
- Glare-reducing, patented single glass optic for even field lighting
- High 90+ CRI color fidelity option
- Built-in over temperature protection
- IP-66 weather-tight housing & system
- Patented cooling ensures years of uninterrupted service
- 100,000+ hour rated LEDs
- IP-67 proprietary power supply with surge protection

**NO GLARE**

Athletes can see the action with our lights. Our single, glass optic lights every playing surface evenly with smooth, clear light.

**UP TO 106,000 LUMENS**

The Sportsbeams Field LED 900 delivers a powerful 106,000 lumen beam efficiently and with significant control.

**VARIOUS COLOR TEMPERATURES**

While our standard color temperature is 5700k, we can produce custom orders with temperatures ranging from 2700k to 6500k.

**ABSOLUTELY RUGGED**

Like all of our fixtures, the Sportsbeams Field LED 900 is built for all outdoor conditions. We do complete salt spray and 3G (shock & vibrate) tests from verified laboratories.

**ADVANCED COOLING SYSTEM**

Our advanced cooling system ensures that the Sportsbeams Field LED 900 will operate consistently, year after year. Heat destroys LED fixtures fast. Our design stops damaging heat in its tracks.