

COURT LED 500

LOW PROFILE, HIGH QUALITY
LED LIGHTING.



GLARE-FREE



LOW PROFILE



NO PLASTIC
LENSES



OPTIMAL
THERMAL DESIGN



10-YEAR STANDARD
WARRANTY





KEY FEATURES

- 500W LED illumination
- Up to 66,000+ lumens delivered
- 4000K 5000K 5700K Option
- Glare-reducing single glass optic for even lighting
- High 90+ CRI color fidelity option
- Built-in over temperature protection
- IP-66 weather-tight housing & system
- 120,000+ hour rated LEDs
- Proprietary power supply with surge protection
- Standard 10-year warranty

SPORTSBEAMS

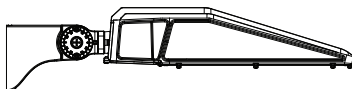
COURT LED 500

LED Architectural & Sports Lighting Fixture

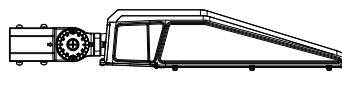
TYPICAL INSTALLATIONS

- Tennis Courts
- Pickle Ball Courts
- Parking Lots
- Building Wall Washes
- High Mast

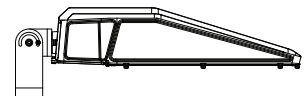
MOUNTING OPTIONS



POLE MOUNT

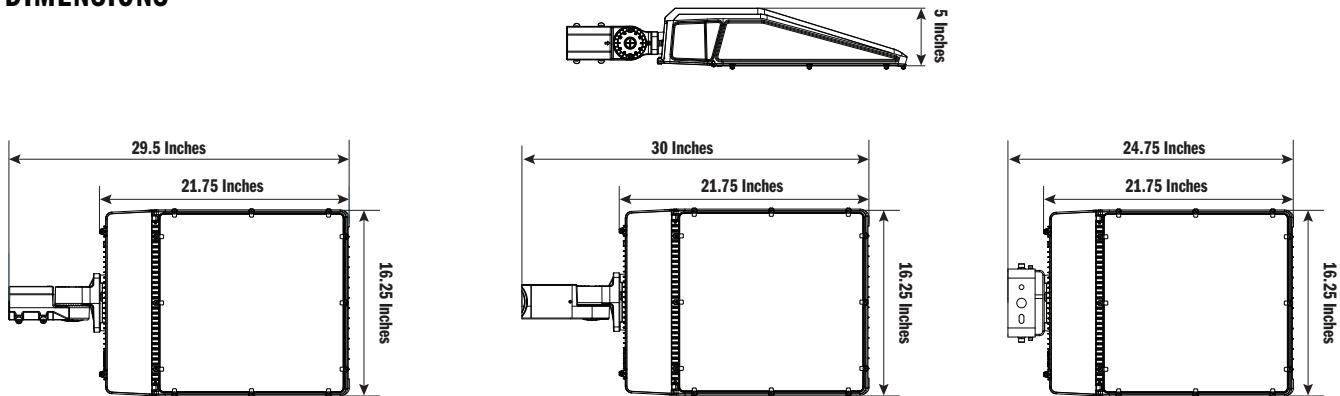


TENON MOUNT



UNDERSLUNG

DIMENSIONS



TECHNICAL SPECIFICATIONS¹

LIGHT & OPTICS

LUMEN OUTPUT RANGE	62,120 ~ 66,300
LUMEN-TO-WATT RANGE	124 ~ 132lm/W
CRI/TLCI OPTIONS ²	70 80 OPTION
EFFECTIVE CCT RANGE	4000K ~ 5700K OPTION
NEMA	H7V5

ELECTRICAL

SYSTEM POWER ³	500W
FREQUENCY RANGE	47~63 Hz
INPUT VOLTAGE (LOW VOLTAGE)	90V ~ 305V
DC VOLTAGE	24V
INPUT RANGE	4.2A MAX
POWER FACTOR	0.95 @ 115V / 0.94 @ 277V
THD	<20%
INRUSH CURRENT	<60A
ELECTRICAL CERTIFICATIONS	FCC, CQC, ETL, IK08, CB, KC, UL 924
SURGE PROTECTION	L-L 6kV ~ L-PE 6kV
OVER TEMPERATURE PROTECTION	AUTOMATIC RECOVERY
OVER VOLTAGE PROTECTION	RECOVERY AFTER POWER CYCLE
OVER LOAD PROTECTION:	AUTOMATIC RECOVERY

CONSTRUCTION

OPERATING TEMPERATURE RANGE	-40°C to +40°C
USAGE ENVIRONMENTS	INDOOR, OUTDOOR
MOUNTING OPTIONS	PEDESTAL, DIRECT POLE MOUNT
ENVIRONMENTAL CERTIFICATIONS	ROHS, FCC, SALT SPRAY (MIL-STD-810)
VIBRATION	ANSI C136.31-2010 3G
EFFECTIVE PROJECTED AREA (EPA)	.45 with or without visor
APPROXIMATE WEIGHT ⁴	22lbs

NOTES

(1) Specifications are subject to change without notice
 (2) Values are +/- 5%

(3) Values are +/- 4% when fixture is operated at 25°C ambient
 (4) Weight may vary depending on mounting bracket

WHITE LUMEN CHART

NEMA	NATIVE TEMP	CRI	LUMENS
H7V5	4000K	70	67300
H7V5	4000K	80	62120
H7V5	5000K	70	67500
H7V5	5000K	80	62100
H7V5	5700K	70	66300
H7V5	5700K	80	61630

ORDERING MATRIX

ARRAY	MODEL	LED	NATIVE CCT	CRI	INPUT VOLTAGE	MOUNT	FINISH
A	500	M	5700	75	L	T	B

A = ASYMMETRICAL

M = MONO

4000 = 4000K

5000 = 5000K

5700 = 5700K

75 = 75CRI

90 = 90CRI

L = 176V - 305V

H = 249V - 528V

P = Pole

T = Tenon

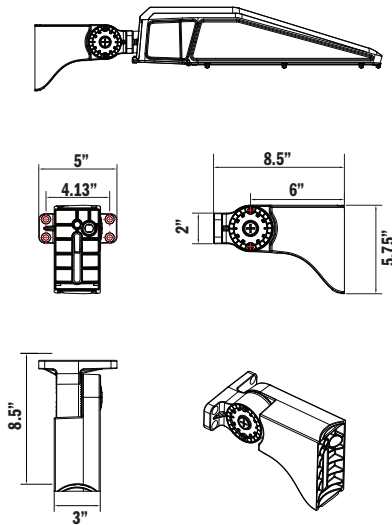
Y = Yoke

G = Green

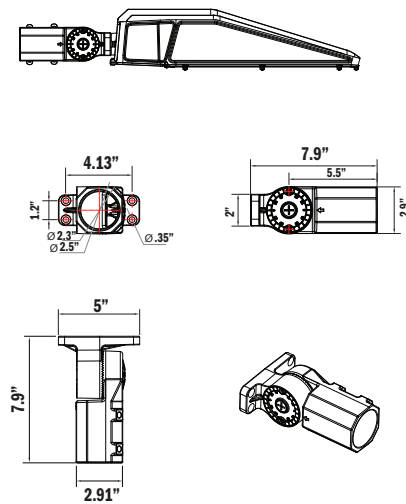
BK = Black

MOST COMMON SKU
S500-M-5700-75-L-T-B

DIRECT POLE/WALL MOUNT



TENON MOUNT



YOKE MOUNT

