



STADIUM LED 1500

BRIGHT, BEAUTIFUL & POWERFUL



GLARE-FREE



BROADCAST
QUALITY



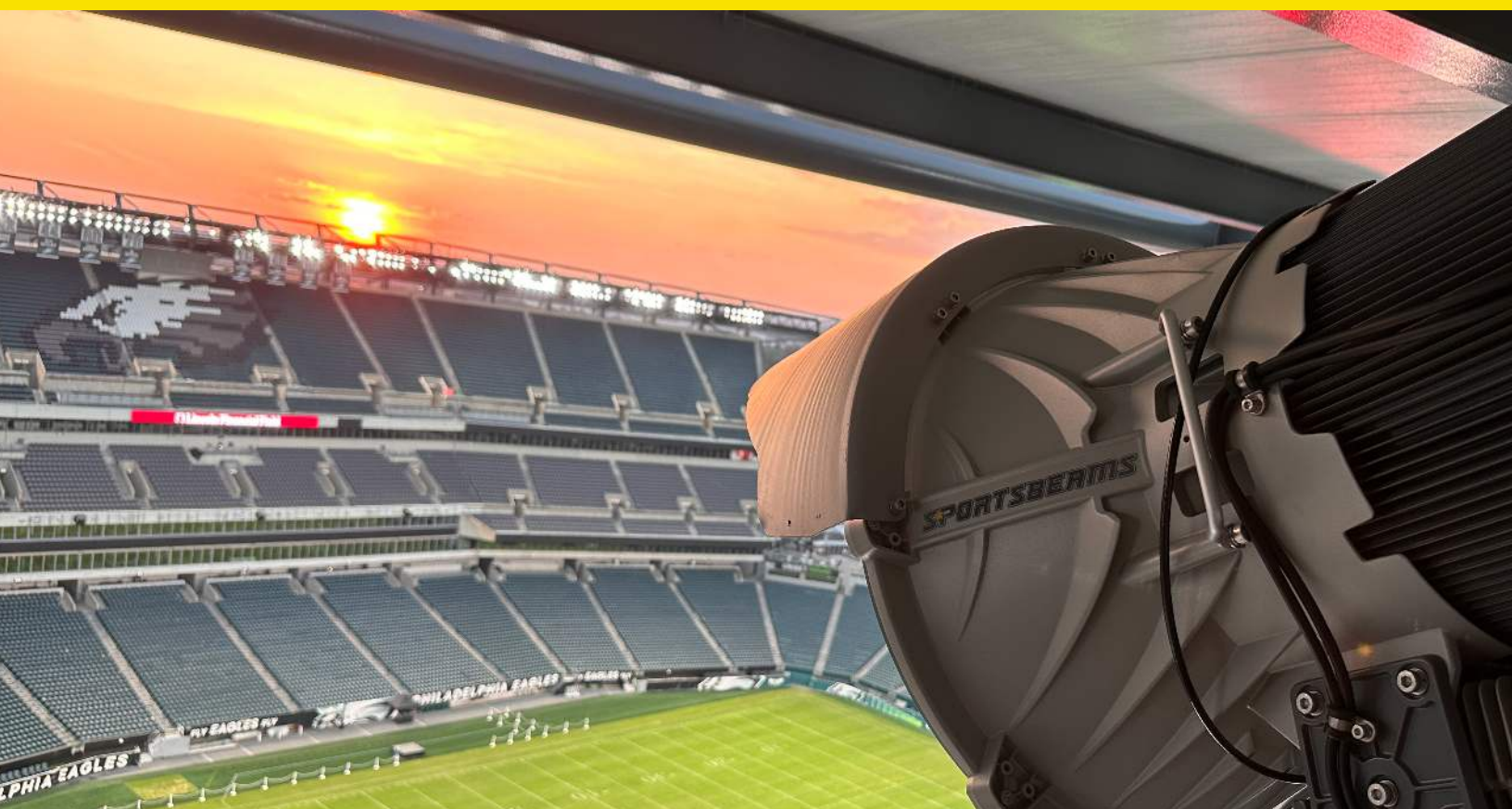
NO PLASTIC
LENSES



ACTIVE COOLING
SYSTEM



ADVANCED
INTELLIGENCE



STADIUM LED 1500

SPORTSBEAMS

OUR LIGHTS ARE WINNING



KEY FEATURES

- 1450W LED illumination
- 160,000+ lumens
- No plastics used in the light path
- DMX 512 controllability to each fixture
- Glare-reducing, patented single glass optic for even field lighting
- High 90+ CRI color fidelity option
- Built-in over temperature protection
- IP-66 weather-tight housing & system
- Patented cooling ensures years of uninterrupted service
- 120,000+ hour rated LEDs
- IP-66 proprietary power supply with surge protection

SPORTSBEAMS

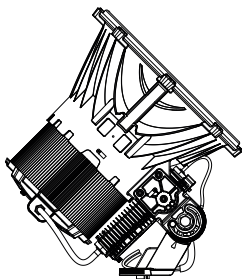
STADIUM LED 1500

High Lumen Architectural & Sports Lighting Fixture

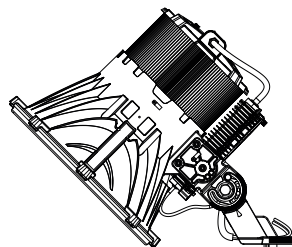
TYPICAL INSTALLATIONS

- Stadiums
- Scholastic Sports Fields
- Municipal Sports Fields
- Building Wall Washes
- High Mast

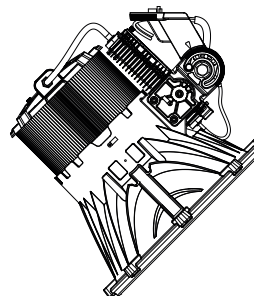
MOUNTING OPTIONS



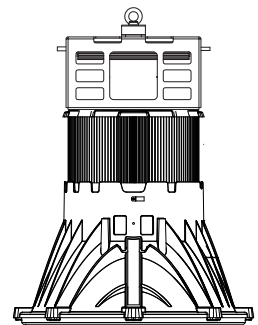
TOP MOUNT UP



TOP MOUNT DOWN



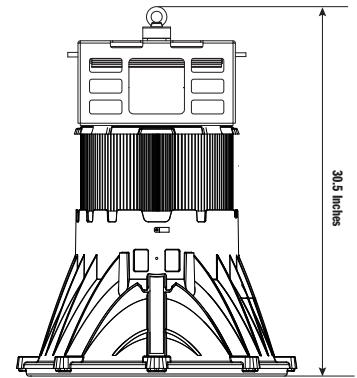
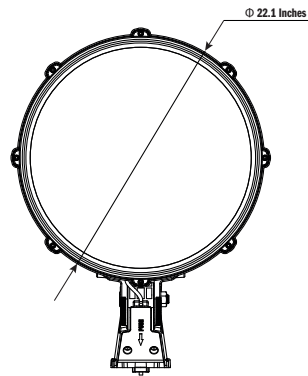
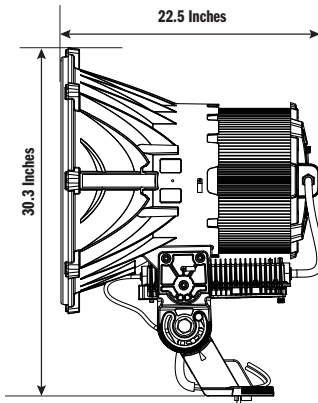
UNDERSLUNG



PENDANT MOUNT

STADIUM LED 1500

DIMENSIONS



TECHNICAL SPECIFICATIONS¹

LIGHT & OPTICS

LUMEN OUTPUT RANGE	121271 ~ 167977
LUMEN-TO-WATT RANGE	92 ~ 124 lm/W
CRI/TLCI OPTIONS ²	70/75, 80/75, 90/85
CCT OPTIONS	2200K ~ 6000K
NEMA OPTIONS	3/4/5/6

ELECTRICAL

SYSTEM POWER	1410W
FREQUENCY RANGE	45~66 Hz
INPUT VOLTAGE	277V ~ 500V
DC VOLTAGE	51V
INPUT CURRENT	5.8A
POWER FACTOR	0.9 @ 277V
THD	<15%
INRUSH CURRENT	<80A
ELECTRICAL CERTIFICATIONS	FCC, CE, ETL, IK08, CB, KC, UL 924
SURGE PROTECTION	L-L 5kV ~ L-PE 10kV
OVER TEMPERATURE PROTECTION	AUTOMATIC RECOVERY
OVER VOLTAGE PROTECTION	RECOVERY AFTER POWER CYCLE
OVER LOAD PROTECTION:	AUTOMATIC RECOVERY

CONSTRUCTION

OPERATING TEMPERATURE RANGE ³	-50°C to +50°C
USAGE ENVIRONMENTS	INDOOR, OUTDOOR
MOUNTING OPTIONS	PEDESTAL, PENDANT
ENVIRONMENTAL CERTIFICATIONS	ROHS, FCC, SALT SPRAY (MIL-STD-810)
EFFECTIVE PROJECTED AREA (EPA)	3.59(ft ²) WITH OR WITHOUT VISOR
APPROXIMATE WEIGHT ⁴	75lbs

NOTES

(1) Specifications are subject to change without notice
(2) Values are +/- 5%

(3) Values are +/- 4% when fixture is operated at 25°C ambient
(4) Weight may vary depending on mounting bracket

NEMA	NATIVE TEMP	CRI	LUMENS
------	-------------	-----	--------

MONO

3	5700K	75	167977
3	5700K	90	139111
4	5700K	75	162702
4	5700K	90	134743
5	5700K	75	151712
5	5700K	90	125641
6	5700K	75	146435
6	5700K	90	121271

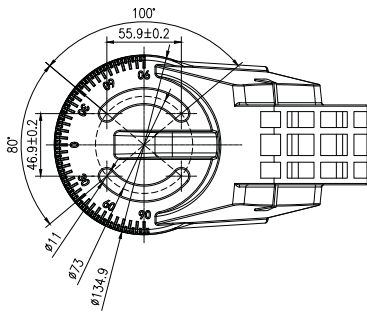
STADIUM LED 1500

ORDERING MATRIX

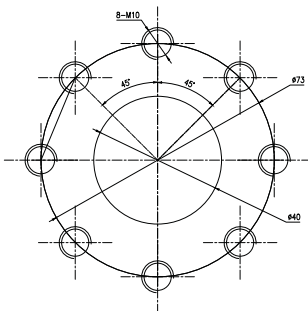
BRAND	FAMILY	MODEL	NEMA TYPE	NATIVE CCT	CRI	INPUT VOLTAGE	MOUNT	FINISH
S	1500	M	4	5000	75	L	S	G
		M = MONO	3 = 3H x 3V	3000 = 3000K	75 = 75CRI	L = 176V - 305V	S = Standard	G = Gray
			4 = 4H x 4V	4000 = 4000K	90 = 90CRI	H = 249V - 528V	P = Pendant	BK = Black
			5 = 5H x 5V	5000 = 5000K				
			6 = 7H x 7V	5700 = 5700K				

MOST COMMON SKU
S1500-M-4-57

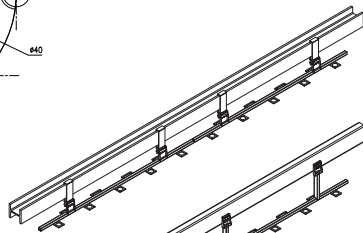
FIXTURE BASE



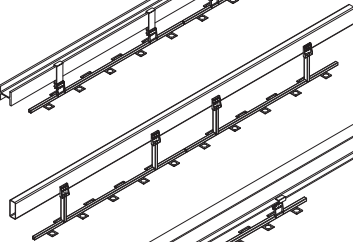
BOLT PATTERN



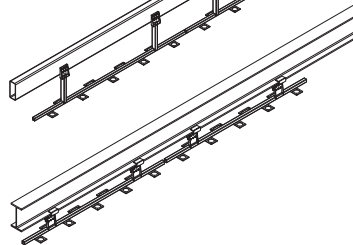
HORIZONTAL I-BEAM MOUNT



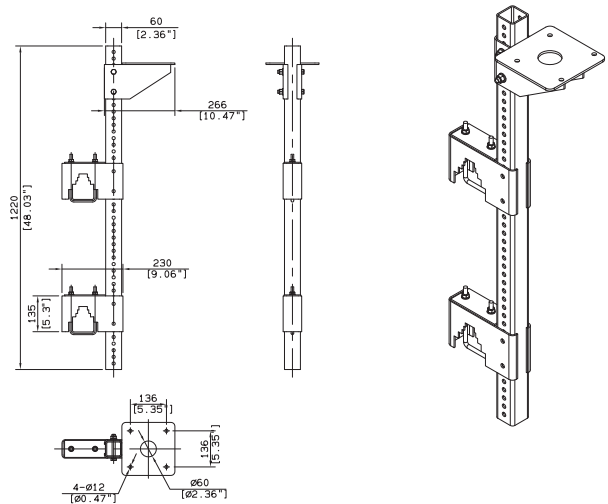
RECTANGULAR BEAM MOUNT



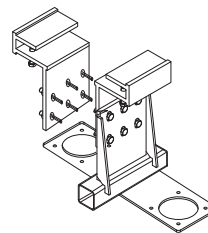
I-BEAM MOUNT



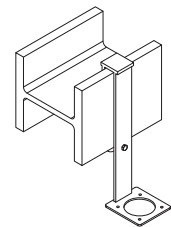
CATWALK MOUNT



STANDARD I-BEAM MOUNT



HORIZONTAL I-BEAM MOUNT



3-FIXTURE CROSS ARM FOR POLE

