

AUSTIN ★ TEXAS

SPORTSBEAMS

MOST ADVANCED LED LIGHTING IN THE WORLD





SPORTSBEAMS

AUSTIN ★ TEXAS

Sportsbeams is a technology company, headquartered in Texas, that designs, engineers and manufactures the most advanced high-powered LED lights available on the market today.

With our exclusive line of single-glass optic LED fixtures, Sportsbeams lights up sporting venues, convention centers, and other facilities around the world with cutting-edge, patented technologies that are setting new standards in the field of LED lighting.

Calling upon decades of multiple Emmy Award-winning LED broadcasting engineering skills and world-class manufacturing experience, Sportsbeams was founded with the sole focus on pushing the boundaries LED lighting for the sports world and beyond.

Armed with multiple patents, our lights are completely unique in the industry, and leaps and bounds above the current status quo.



PATENTS & CERTIFICATIONS

Sportsbeams owns several patents and has dozens of certifications that illustrate just how truly advanced and reliable our technology is.

RESEARCH & DEVELOPMENT

Our passion and dedication for LED lighting shows in our extensive on-going research and development. We invest heavily into developing better and more innovative LED lighting that will continue to set new standards in the industry.

EMMY AWARDS

We're experts in professional LED lighting. As a matter of fact, the extensive technical achievements of SportsBeams' Founders include Emmy Awards for LED lighting technology that is "so innovative in nature that they materially have affected the ...recording of television."

MANUFACTURING FACILITY

Sportsbeams owns and operates our own manufacturing facility. We've been manufacturing for world-class companies for nearly two decades. No other sports lighting company has our breadth of manufacturing experience. And it shows in every light we make.



GLASS SINGLE OPTIC LED

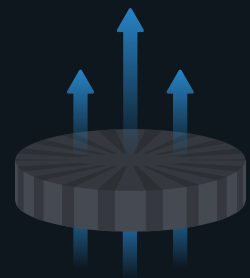
Glare Problems? Sportsbeams took a completely different design approach to address this issue. With over a decade of LED design experience in the movie industry, we knew that eliminating glare had to be a top priority.

Our design incorporates a broad, single glass lens to provide a much more uniform lumen density of 346 lumens/sq. in. This design distributes light evenly over 50,000x the area of each individual LED light source, maximizing both the emitting area of luminaries and uniformly redistributing the originating ultra-bright points of LEDs. This greatly reduces the amount of glare.

Getting bright light from a sports lighting fixture is relatively easy. Designing a fixture that utilizes that light without producing unacceptable levels of glare is physically impossible without incorporating our patented design. This design, in conjunction with numerous other features, makes Sportsbeams' fixtures the absolute best choice for all high-power lighting needs.

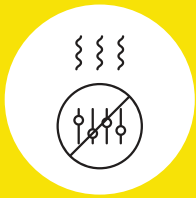


We bunch bare LEDs tightly together and don't cover them with small, plastic lenses.



We have developed the most advanced LED cooling technology on the market.

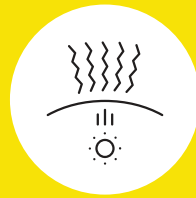
OTHER LED FIXTURES



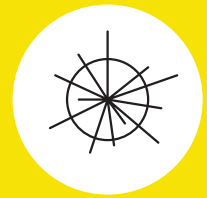
Other light fixtures cannot control the heat. So they have to separate the LEDs.



When LEDs are separated, their light can only be controlled by individual plastic lenses.

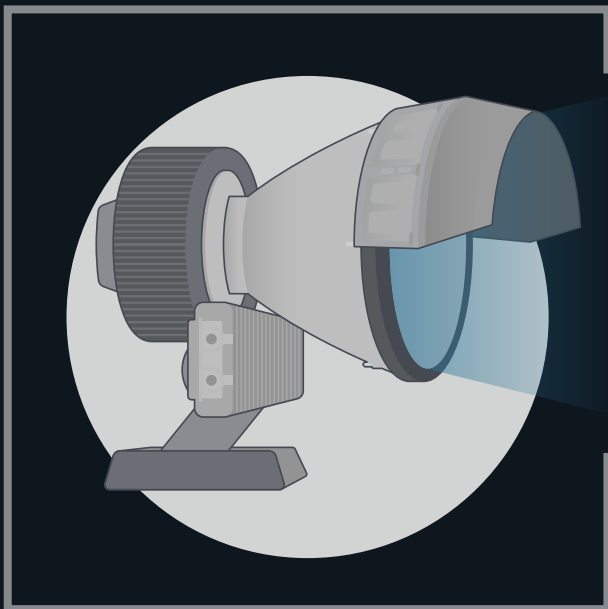


Light is forced through plastic that traps heat from the LEDs while also warping and cracking in sunlight.



Glare is the inevitable result of light and dark spots due to LED separation and forcing too much light through warped and cracked plastic lenses.

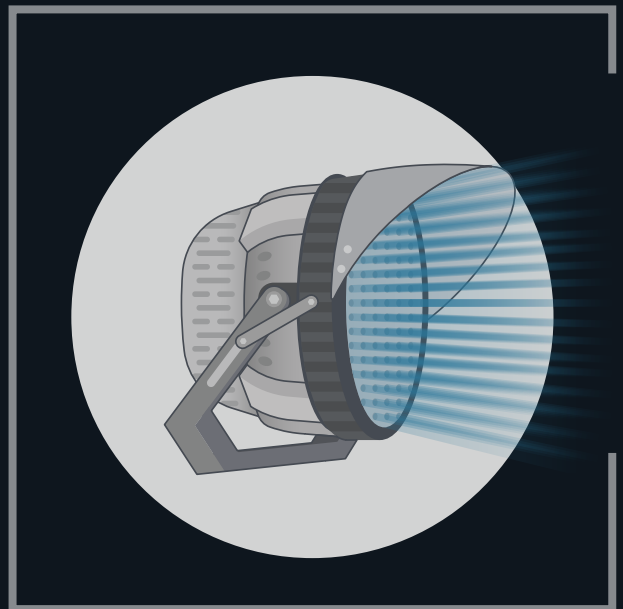
SPORTSBEAMS SINGLE OPTICS



Uniform
Single-Point LED
Distribution

with 346
Lumens
/ sq. in

OTHER SPORTS LIGHTING FIXTURES



Ultra Bright
Multiple-Points
of LEDs

with 1275
Lumens
/ sq. in

KEEPING IT COOL



Sportbeams FIELD LED 800 and the CHROMABEAMS LED 900 are powerful lights. With active cooling, we were able to increase the lifespan of the fixtures, significantly reduce weight, allow the fixture to be mounted at any angle, and increase its ambient temperature range. Using military grade fans that are tested to last over 490,000 hours in any weather conditions, our intelligent cooling system is rugged, reliable, and seriously advanced.

SportsBeams' patented, closed-loop, fan cooled fixtures solve all of these problems. It uses the same type of exterior-rated fans that have been used in telecom, traffic, and industrial control systems, 24/7, for years and has a 70,000 hour warranty.



CONSTANT TEMPERATURE

Our intelligent active cooling maintains consistent temperature for the LEDs and circuit board.



OVER 490,000 HOURS MTBF

Our fans have been on the market for decades and have a proven MTBF rate of over 490,000 hours.



OVER 40% WEIGHT REDUCTION

No big hunk of metal weighing our fixture down. That means little modification to existing structures.



WIDER OPERATING RANGE

Active cooling allows our fixture to operate in a wider range of environments, from extreme heat to bone-chilling cold.



AIM IN ANY DIRECTION

A passive heatsink must be aimed a specific direction for airflow. Our lights operate in any direction for maximum versatility.



MONITORING INTELLIGENCE

Our built-in intelligent system monitors and logs fan speed, operating temperature and much more.

HOW IT WORKS

- AMBIENT AIR IS DRAWN IN

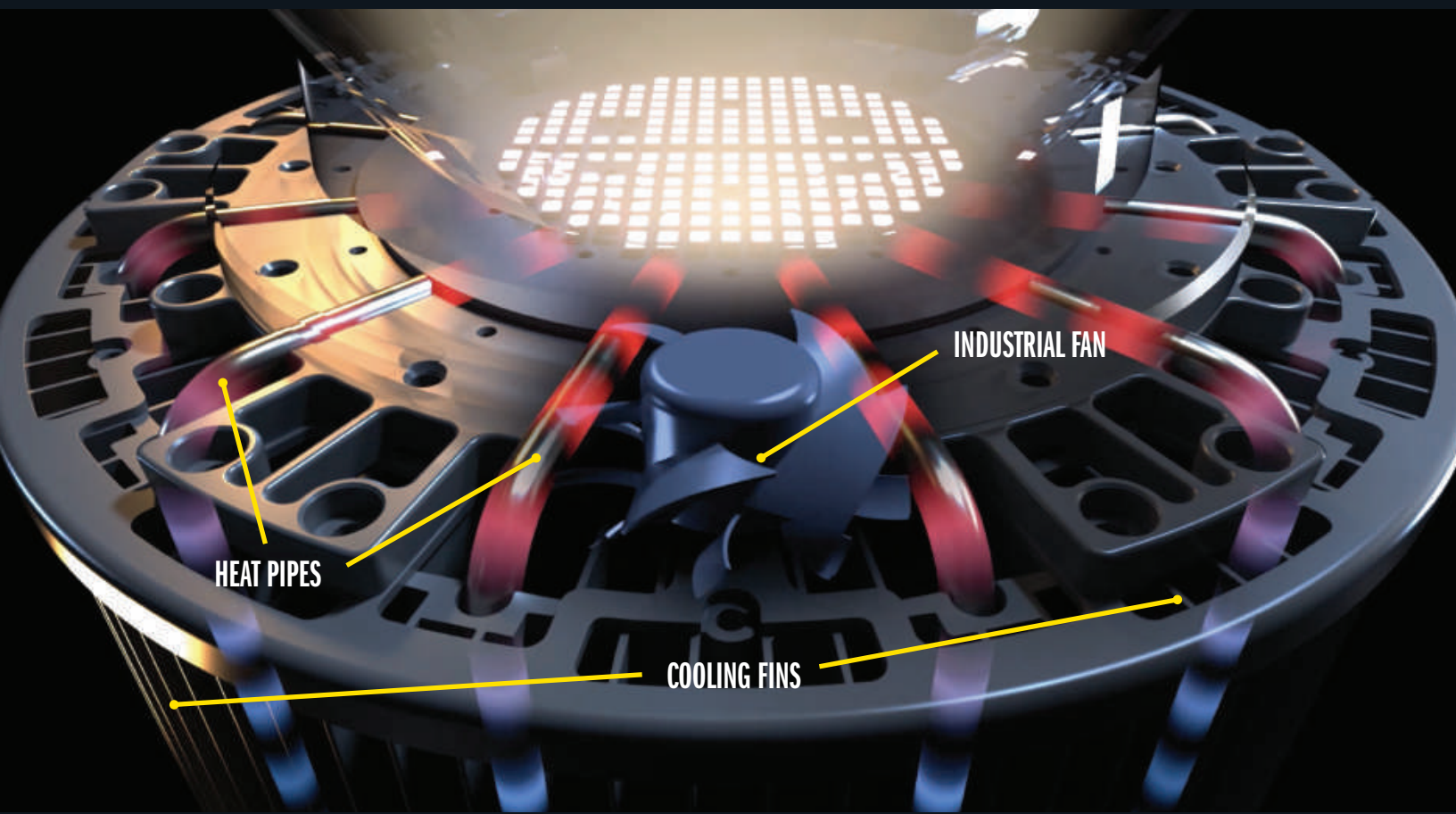
The fan in the rear is intelligently controlled to pull ambient air in at a rate that maintains consistent temperature. If it's colder outside, it spins slower. If it is warmer, it moves faster.

- FINS DRAW OUT HEAT

Heat from the light and drivers flow to the fins. Air drawn in from the fan carries it out of the fixture.

- CONTINUOUS COOLING

And on it goes. Sometimes air is flowing fast and sometimes slow. But all the sensitive components are kept an optimal 100° C.



SAFER, TOUGHER DRIVERS

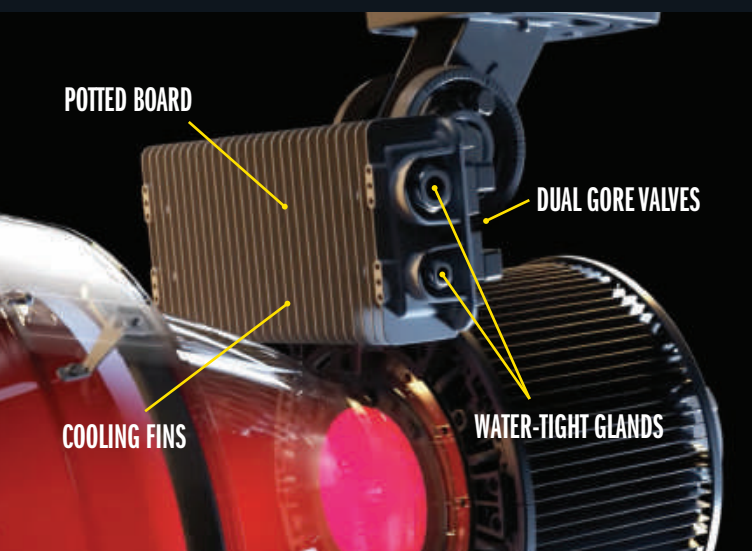
An arc welder to power LEDs?

Most sports lighting companies have their drivers at the base of the light poles. This means they need 700V+ of DC power to reach a fixture from the bottom of its pole — That's the equivalent of an arc welder. Worse, since most remote drivers power three or more fixtures, a failure can mean an instant loss of multiple heads.

So why the need to gamble with such dangerously high levels of voltage? Because their fixtures are too heavy to have their driver next to the lights. That and they rely on third-party manufacturers for their drivers. Sportsbeams designs, engineers and helps manufacture our own drivers.

Our patented technology means our lights are much lighter than our competitors'. That allows us to have our drivers at the base of our fixtures, making it much safer to handle at just 48V of DC power. This also dramatically increases the lifespan of the LEDs.

Just one more reason why our fixtures truly are the best in the world!



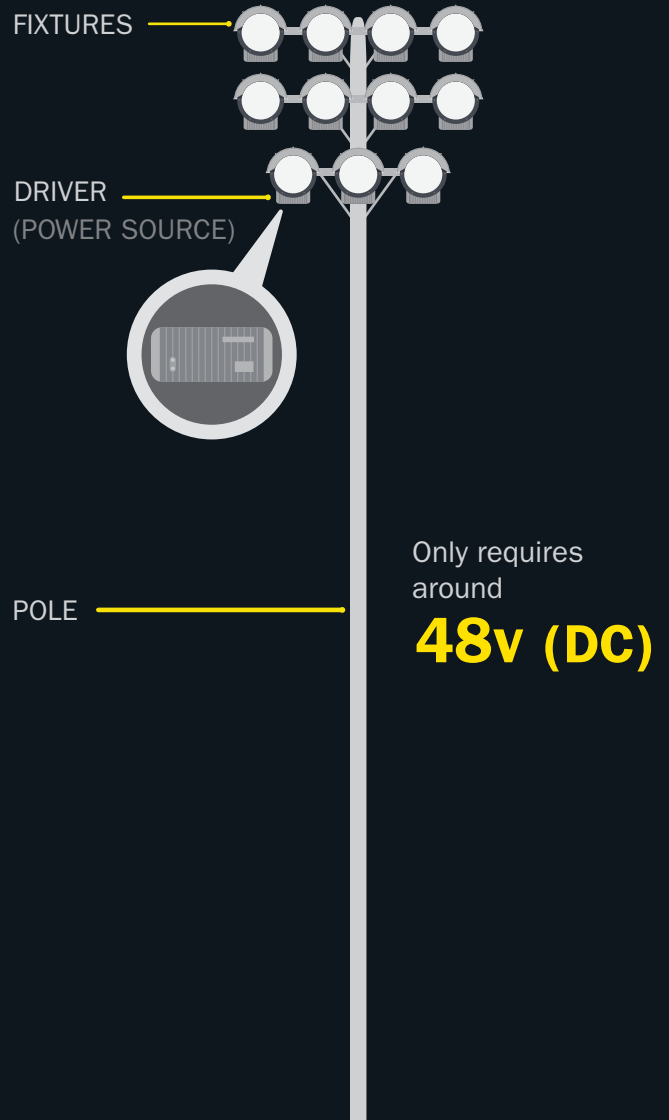
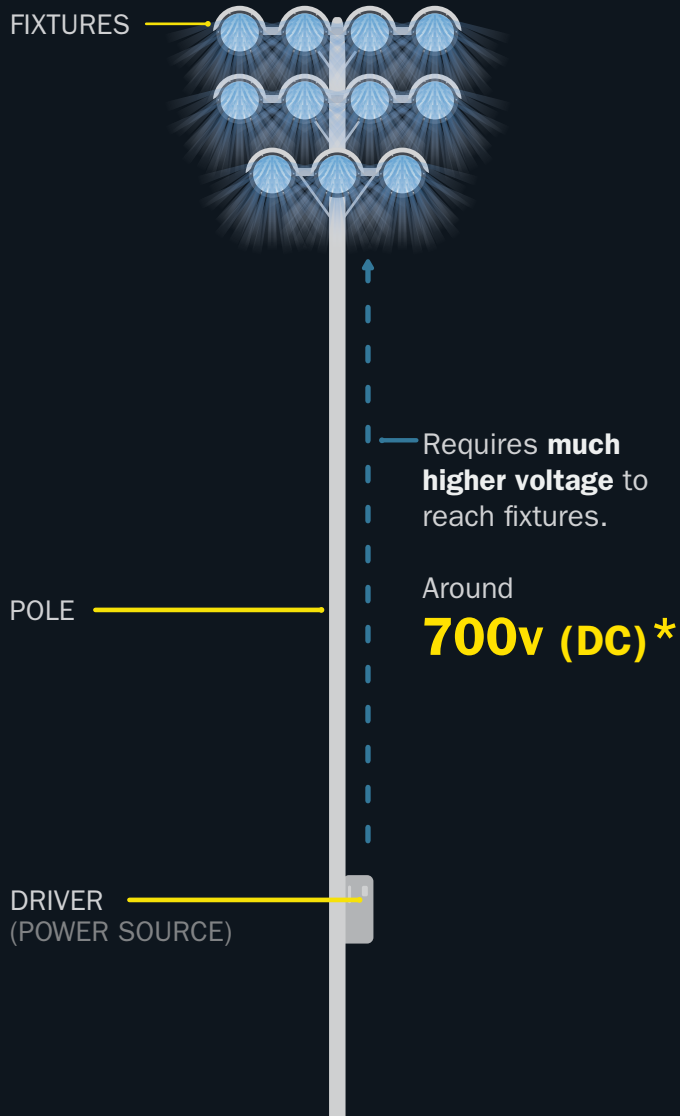
OUR DRIVER FEATURES

- Custom aluminum die cast housing with precisely engineered heat fins reduces heat by over 20% than standard housings.
- Housing sealed with an IP-67 gasket that ensures protection from water ingress.
- Board is potted in heat-conducting resin that further protects from water and heat damage.
- Stainless steel, water-tight glands allow power and data cables in and nothing else.
- All power supplies ready to be included in our exclusive Redundant Array of Independent Drivers (R.A.I.D.) system.

OTHER SPORTS LIGHTING COMPANIES

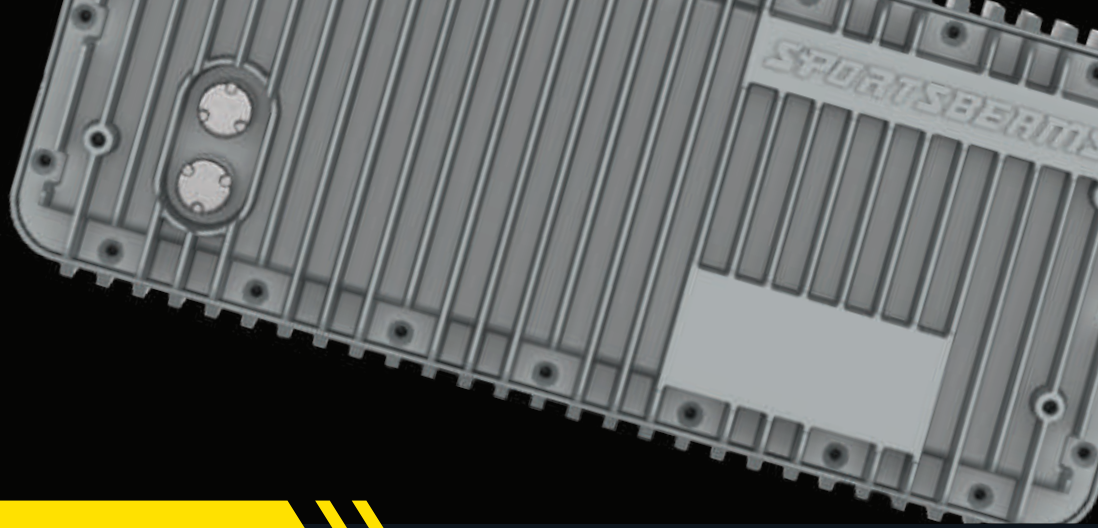
VS

SPORTSBEAMS



***700v DC** is equivalent of an arc welder

Sportsbeams fixtures are lighter, allowing our drivers to be positioned at the base of the fixtures. This is why our fixtures only need around 48v of DC power, **making it much safer to handle**



R.A.I.D. SYSTEM

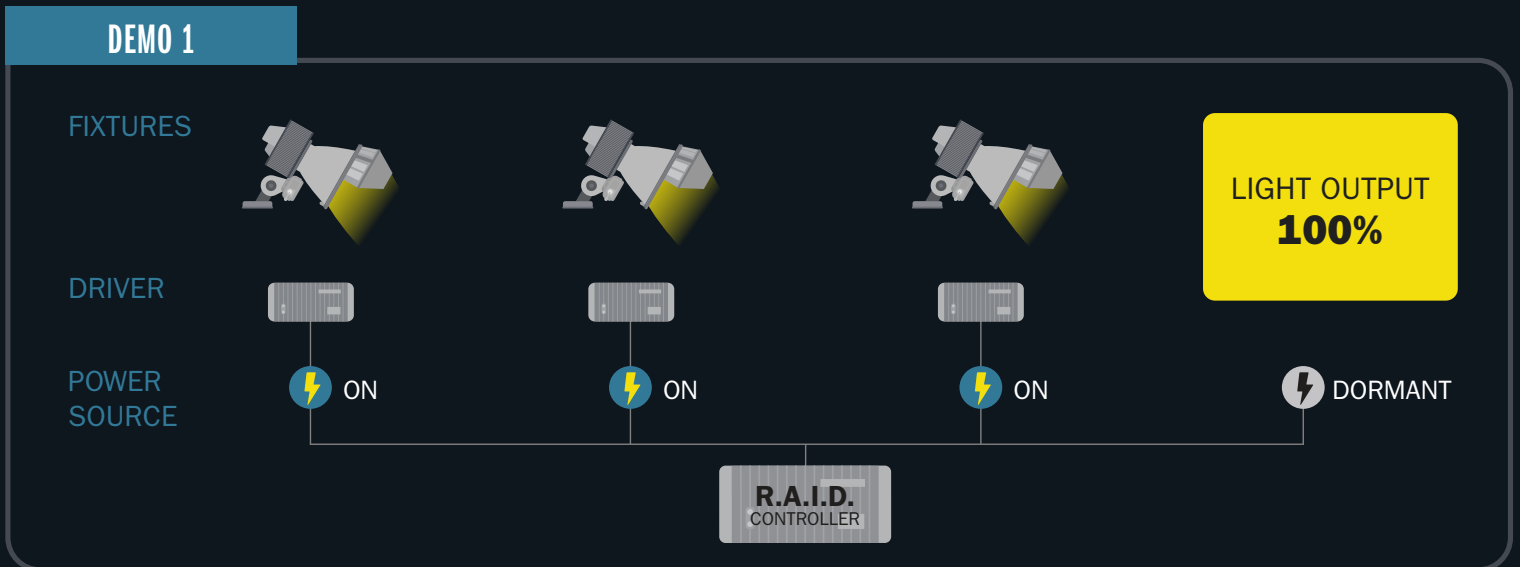


Sportsbeams' patent-pending Redundant Array of Independent Drivers (R.A.I.D.) System is an industry-changing approach to ensure that our fixtures last for years.

To ensure industry-leading performance and reliability, we're pushing our drivers to be better than anything else available in the industry. Our new, patent-pending R.A.I.D. System is an industry-changing approach to ensure that our fixtures last for years.

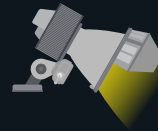
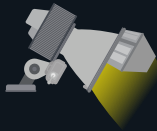
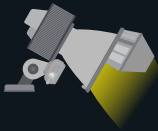
Our R.A.I.D. System uses a smart controller to share power among a group of fixtures in the unlikely event that a driver fails. In the example below, we have three fixtures, four power sources, and a R.A.I.D. controller. The spare power source is dormant until the power to one of the fixtures is lost.

If that happens, the R.A.I.D. controller instantly activates the spare power source. If a second power source fails, the three fixtures share the power of two drivers at a slightly decreased light output but still visibly equal. If the power to a third driver is lost, the fixtures share the last power source and light output is decreased slightly again, but barely visibly noticeable.



DEMO 2

FIXTURES



LIGHT OUTPUT
STILL **100%**

DRIVER



POWER SOURCE



LOST POWER SUPPLY



ON



ON

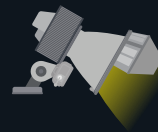
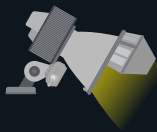
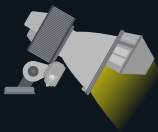


ON

R.A.I.D.
CONTROLLER

DEMO 3

FIXTURES



LIGHT OUTPUT
**VISIBLY
SAME**

DRIVER



POWER SOURCE



LOST POWER SUPPLY



LOST POWER SUPPLY



ON

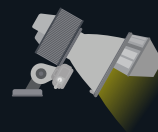
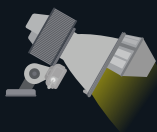
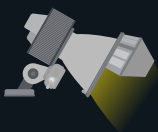


ON

R.A.I.D.
CONTROLLER

DEMO 4

FIXTURES



LIGHT OUTPUT
**BARELY
NOTICEABLE**

DRIVER



POWER SOURCE



LOST POWER SUPPLY



LOST POWER SUPPLY



LOST POWER SUPPLY



ON

R.A.I.D.
CONTROLLER

NO MORE DEAD ZONES



Asymmetrical Lighting is wrong for sports. Players quickly lose sight of the ball in the dark, because Sports is played in a 3D environment. To combat this, some companies aim a light straight up into the sky and label it as ground-breaking "technology". Not only is this an inefficient method, but it also cannot be dark-sky friendly.

Unless the goal is to only light a 2D surface like roads, symmetrical lighting provides a far better area light. This provides the horizontal foot candles needed, and the vertical foot candles for athletes to see the ball in the air.

Today's facility managers have a number of requirements placed upon them:

1. They must provide great lighting for the athletes
2. Make it comfortable for the fans
3. Make their fields as dark-sky friendly as possible

Only symmetrical lighting can accomplish all three.

SYMMETRICAL LIGHTING

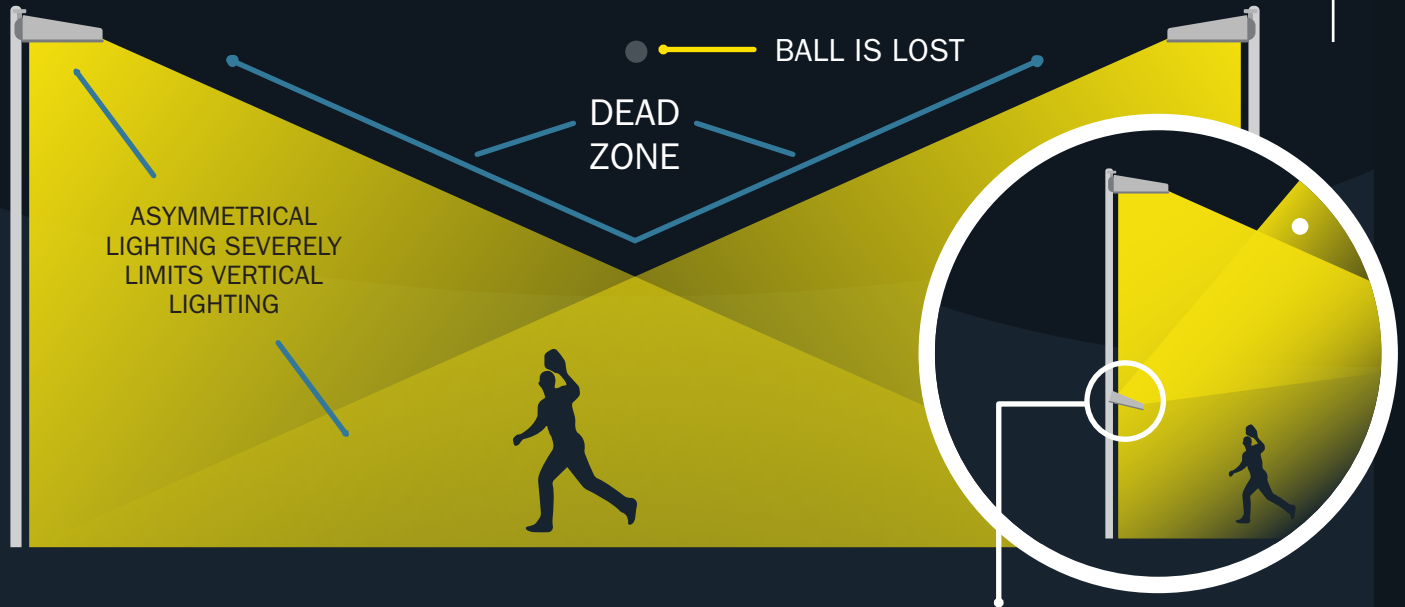
WHAT IS IT?

Symmetrical lighting creates a beam of light where the horizontal and vertical axes are equal.

WHY IT'S THE ONLY CHOICE FOR SPORTS

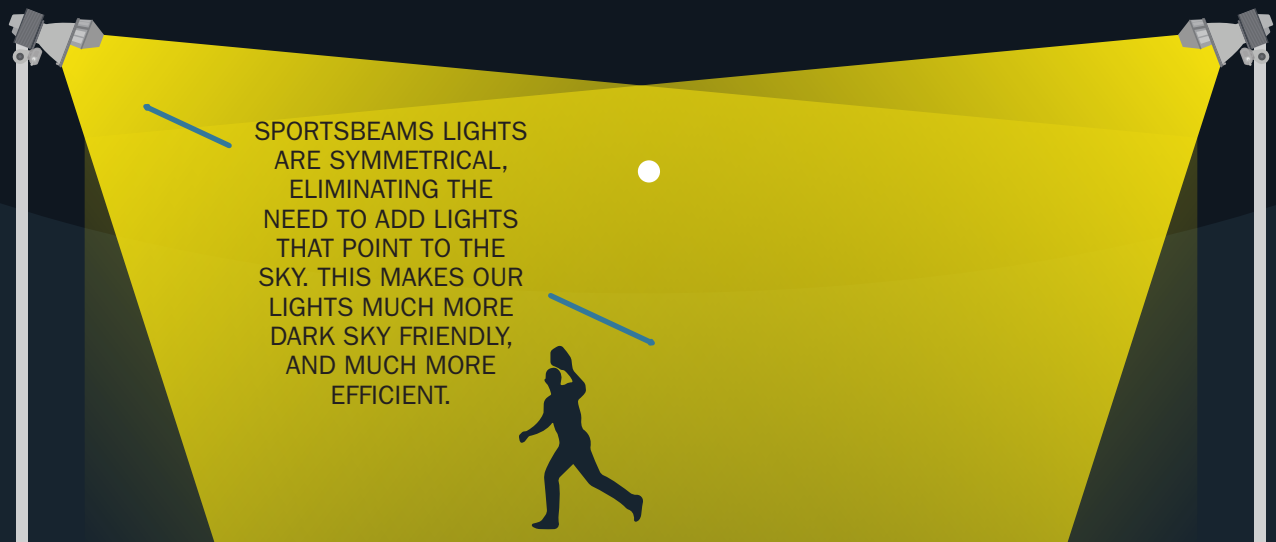
Unless the goal is to only light a 2D surface, symmetrical lighting provides a far better area light. Not only will it provide the horizontal foot candles needed, it will also provide the vertical foot candles.

ASYMMETRICAL FIXTURES

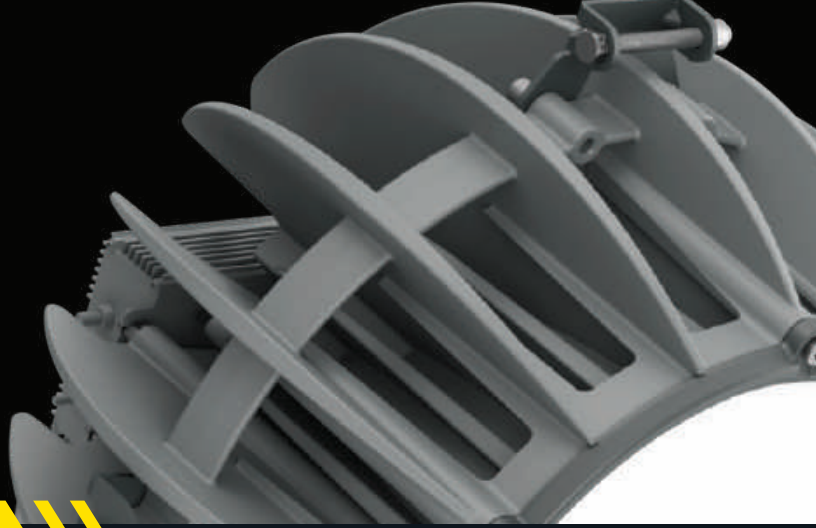


TO ADDRESS THIS WEAKNESS, SOME MANUFACTURERS ADD ADDITIONAL FIXTURES AND AIM THEM TOWARDS THE SKY

SYMMETRICAL FIXTURES



SAY GOOD-BYE TO PLASTIC



Plastic fails.

This is why all of Sportsbeams lights are housed in full die-cast aluminum, and have no plastic in them. By completely eliminating plastic from not only the light path, but even in the housing, we've ensured that our light fixtures will truly last in all weather conditions, for years to come.

Sportsbeams is the only company in the entire industry that does this. Our lights are rugged, and are built to withstand harsh wind, sun, and rain.

NO PLASTIC IN HOUSING

All our lights are in custom aluminum die-cast housing that are built to last.

NO PLASTIC IN DRIVERS

Our drivers are also encased in custom aluminum die-cast housing with precisely engineered heat fins.



NO PLASTIC TIR LENSES

We don't cover our LEDs in individual plastic lenses.

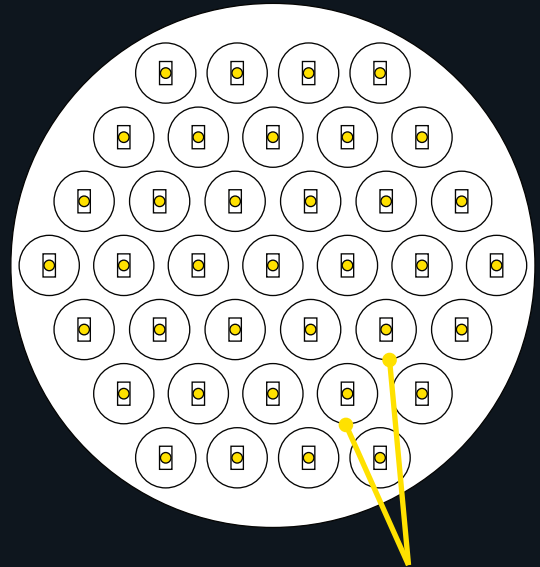
NO PLASTIC IN LIGHT PATH

Our LEDs are always single-optic LED with tempered glass lens and use **zero** plastic lenses.

TYPICAL FIXTURE DESIGN

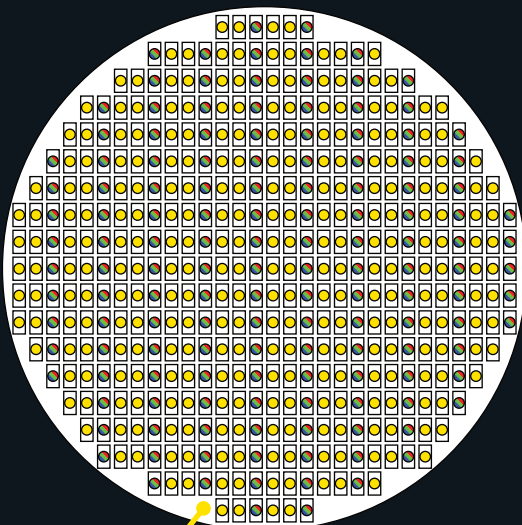
CHALLENGES

1. Lenses must be perfectly attached to the light engine to ensure that moisture or other debris is not trapped underneath
2. The number of LEDs a fixture can hold is limited because of space requirements for the individual lenses

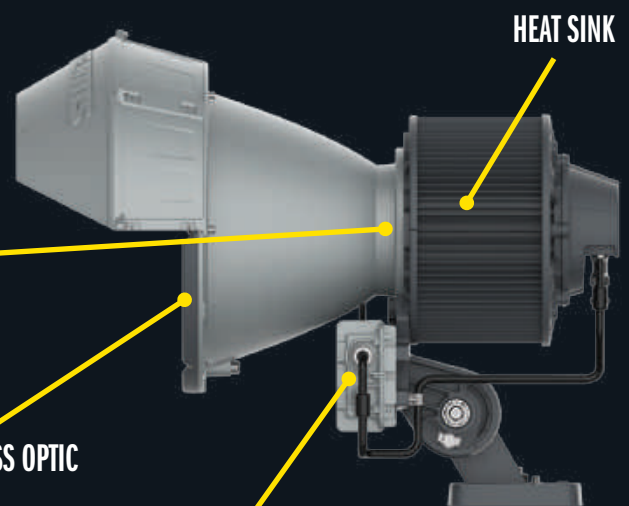


COVERED IN INDIVIDUAL PLASTIC LENSES

SPORTSBEAMS FIXTURE DESIGN



BARE LEDS BUNCHED CLOSELY TOGETHER



SINGLE GLASS OPTIC

POWER SUPPLY

HEAT SINK

POWERFUL WHITE + FULL RGB COLOR

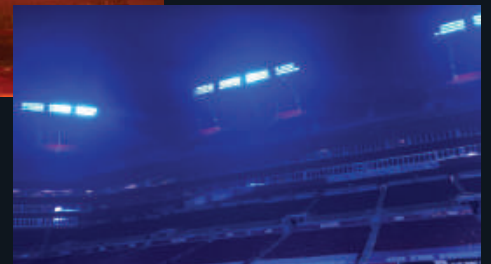
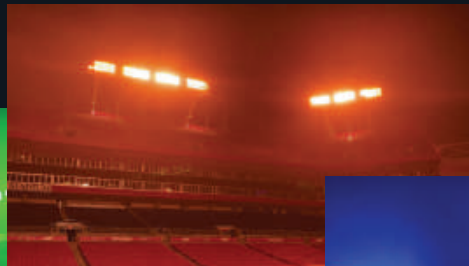
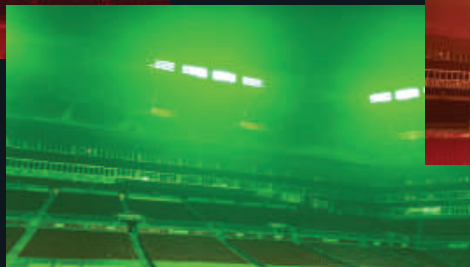
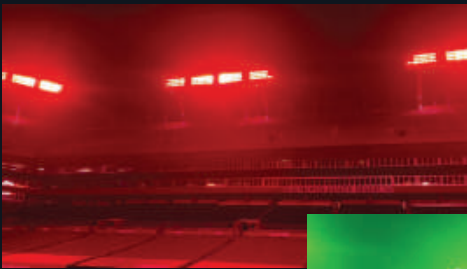


High powered broadcast-quality sports white light
+
Millions of spectacularly saturated premixed color light
all in ONE single-optic LED fixture.

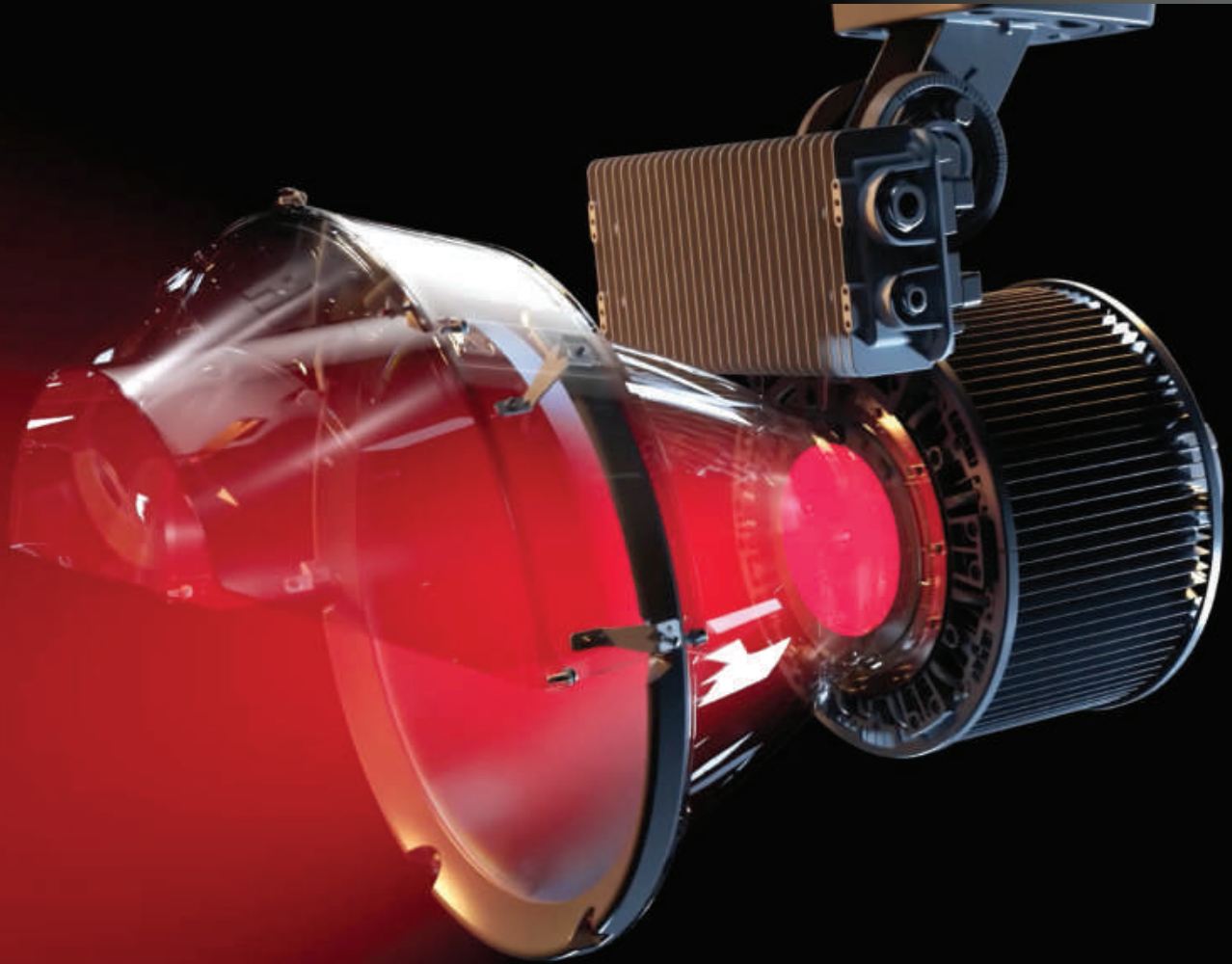
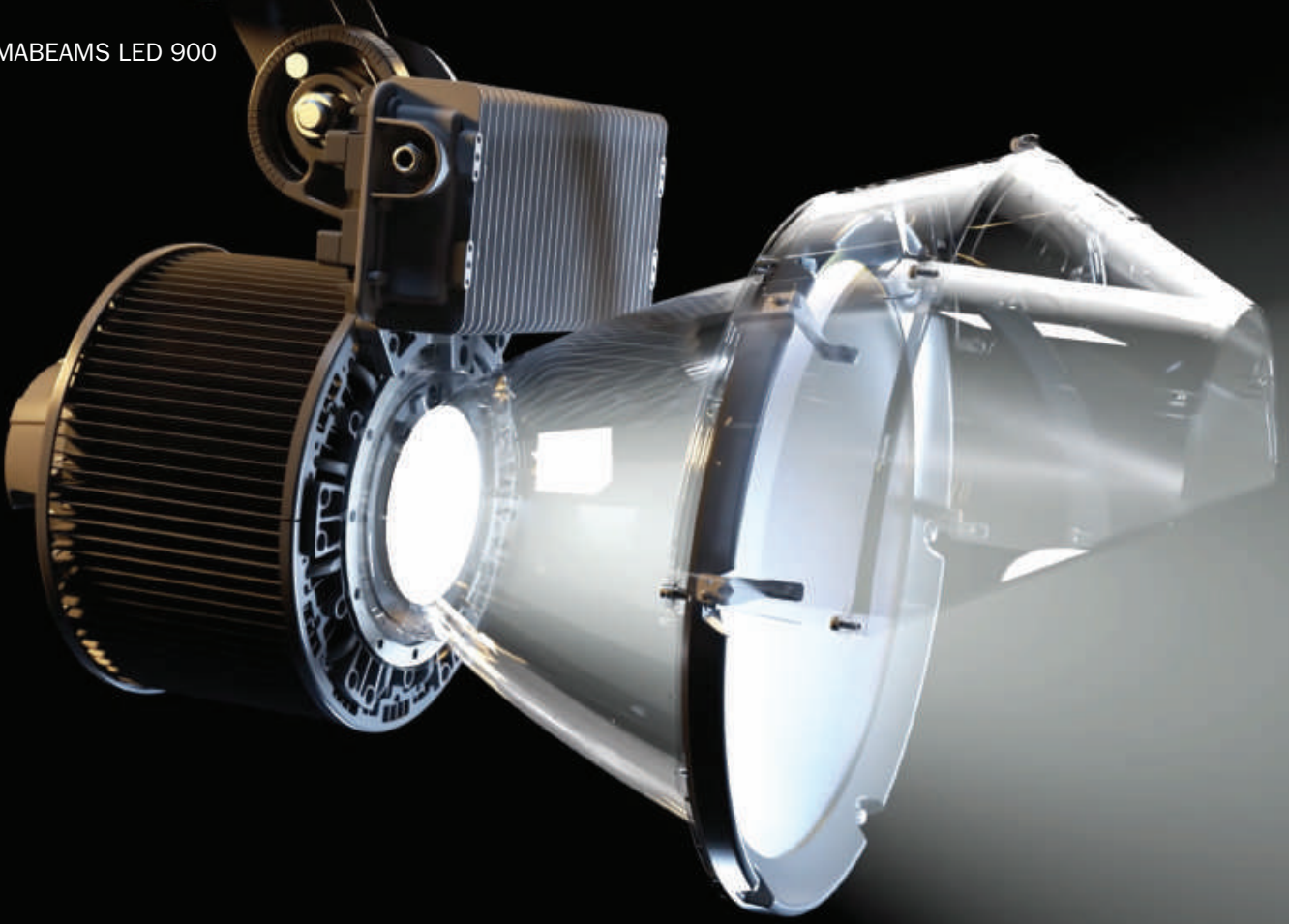
Armed with patented technologies, our Chromabeams are the only fixtures in the entire industry that can do both full high-powered tunable sports white and the full spectrum of saturated RGB lights in one fixture. Not only that, but we are also the only ones that do not use any plastic in the light path or even in the housing.

Although some may claim that their lights are RGBW capable, the colors are dull, and the white light of those fixtures isn't bright enough to light the field, let alone a sports game. This is why they always need additional lights.

But not us. You can light the entire stadium with just Chromabeams.



CHROMABEAMS LED 900





OUR PRODUCTS

FEATURES IN ALL OUR LIGHTS

- Single Optics Lens
- Integrated Intellibeams Control System
- Patented Cooling Technology
- 48V DC to LED
- 70 to 95 CRI
- Up to 25 Year Warranty



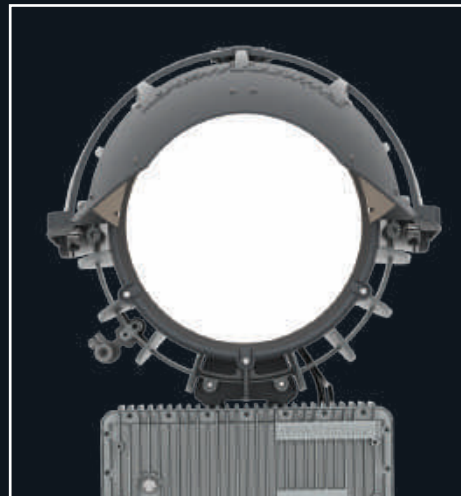
COURT LED 350

- 46,000+ Lumens
- 320W input / 48 DC to LED
- Color range of 1600K to 6300K
- CRI up to 93



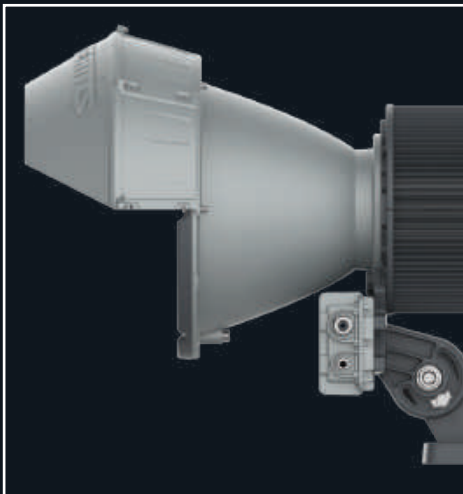
CHROMABEAMS LED 350

- 46,000+ Lumens
- 320W input / 48 DC to LED
- Tunable Color from 1800K to 10000K
- Full RGB
- DMX Controllable



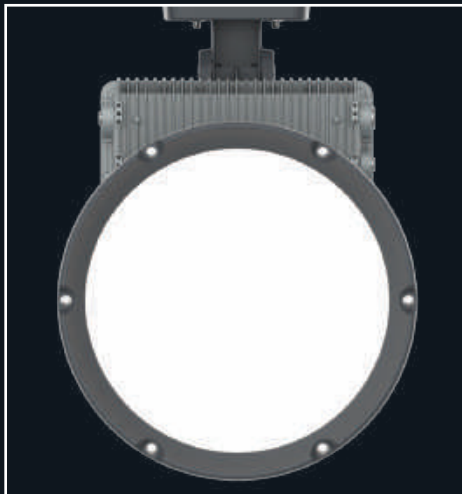
FIELD LED 600

- 85,000+ Lumens
- 830W input / 48 DC to LED
- Color range of 1600K to 6300K
- CRI up to 93



ARENA LED 600

- 75,000+ Lumens
- 600W input / 48 DC to LED
- Color range of 1600K to 6300K
- CRI up to 93



FIELD LED 800

- 85,000+ Lumens
- 830W input / 48 DC to LED
- Color range of 1600K to 6300K
- CRI up to 93



CHROMABEAMS LED 900

- 91,000+ Lumens
- 900W input / 48 DC to LED
- Tunable Color from 1800K to 10000K
- Full RGB
- DMX Controllable

COURT LED 350

**HIGH POWER.
LOW COST.**



**COLOR TUNABLE
WHITE**



GLARE-FREE



**BROADCAST
QUALITY**



**NO PLASTIC
LENSES**

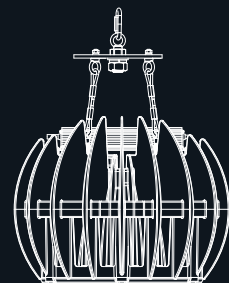
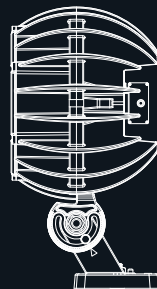
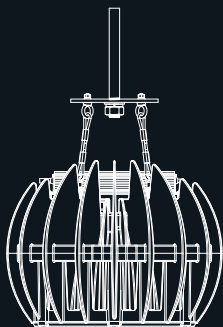


**OPTIMAL
THERMAL DESIGN**

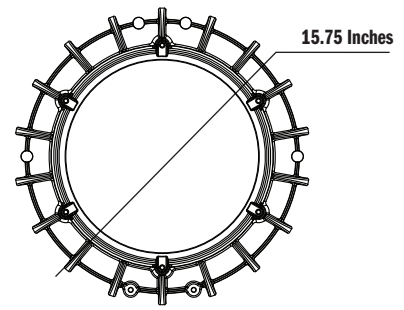
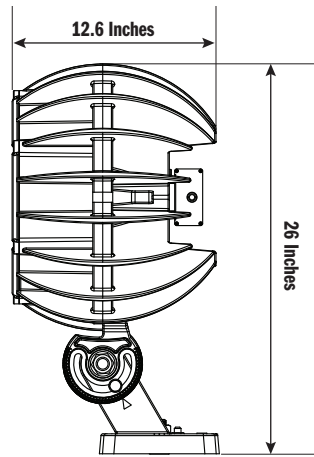
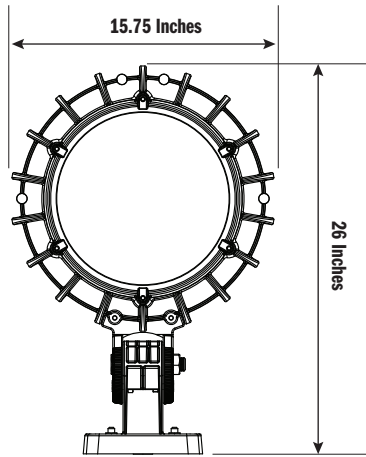


**ADVANCED
INTELLIGENCE**

- 350W LED illumination
- Color Tunable White Lights
- 44,600+ lumens delivered
- High 90+ CRI color fidelity option
- Up To 140 lm Per Watt
- 0 to 10V capability
- No Plastics in Light Path



DIMENSIONS



GENERAL SPECIFICATIONS

PRODUCT NAME	COURT LED 350
BEAM TYPES	NEMA4, NEMA5, NEMA6, NEMA7
APPLICATION	Indoor/Outdoor Sports Lighting
IP GRADE	IP66
AMBIENT TEMPERATURE	Suitable for use in 122° F
CERTIFICATIONS	CE, ETL, ROHS, LM79, 3G, UL, ik08, CB, KC

MECHANICAL

DIMENSIONS	12.6" x 26" x 15.75"
MOUNTING	Yoke Mount
YOKE MATERIAL	High Grade Steel
PCB MATERIAL	MCPCB
LAMP HOUSING MATERIAL	Aluminum Alloy
LENS MATERIAL	Tempered Glass
LENS TYPE	Transparent & Diffusive
FIXTURE WEIGHT	37 lbs
WIND LOAD	EPA @ front = .82 with visor

POWER SUPPLY

INPUT	Voltage Range	90V - 305V
	Frequency Range	50-60 Hz
	PF	>0.90
	THD	<20%
	Inrush Current	<30A
	Rated Power with Fixture	320W
	Maximum Power	320W
OUTPUT	DC Voltage	48V
	Current Range	6.7A
PROTECTION	Overload	YES
	Over Voltage	YES
	Over Temperature	YES
	IP -Grade	IP-66
	Surge Protection	L-N 4000V, LN-PE 6000V

LIGHT ENGINE

CCT	2200k to 6500k (option)
CRI	70 80 90 (option)
LUMINAIRE EFFICIENCY	≥131LM/W (70CRI)
DELIVERED LUMENS	44,695
FLICKER	<1%
DIMMING	2~100%
LUMEN MAINTENANCE (LED)	L70 ≥100,000 hrs
DIMMING RESOLUTION	<1W



CHROMABEAMS LED 350

**FULL COLOR. SPORTS WHITE.
ALL IN ONE FIXTURE.**



**COLOR TUNABLE
WHITE**



**FULL
PRE-MIXED RGB**



GLARE-FREE



**BROADCAST
QUALITY**



**NO PLASTIC
LENSES**

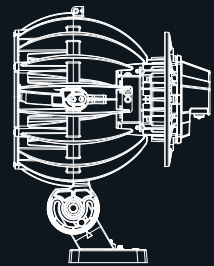
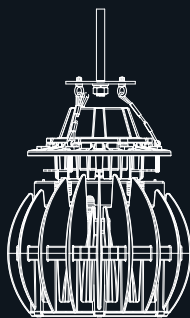
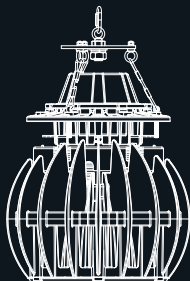


**OPTIMAL
THERMAL DESIGN**

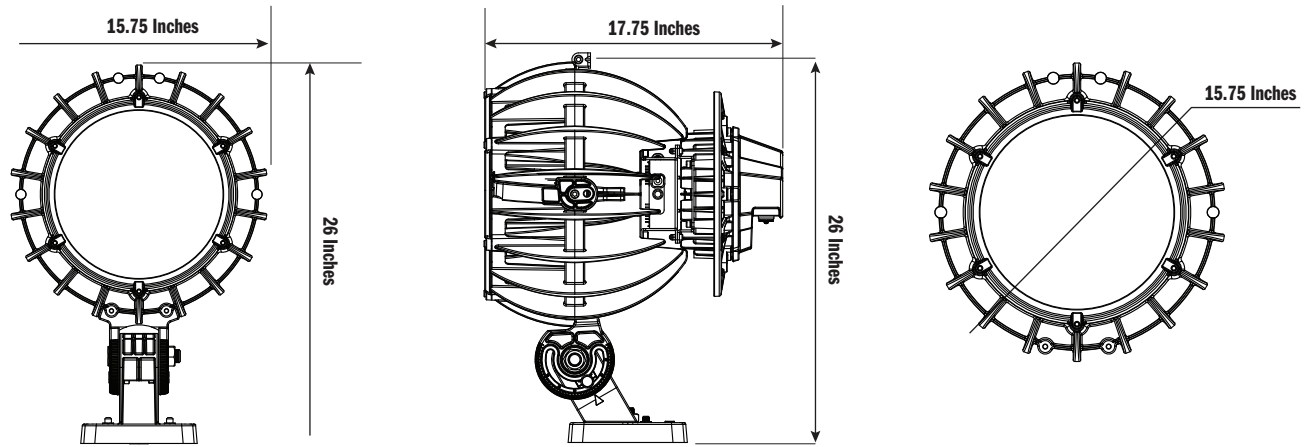


**ADVANCED
INTELLIGENCE**

- 350W LED illumination
- Full RGB Colored Lights
- Color Tunable Sports White Lights
- 42,000+ lumens delivered
- 70 CRI - 90 CRI
- No Plastics in Light Path, or Housing
- DMX Controllable



DIMENSIONS



GENERAL SPECIFICATIONS

PRODUCT NAME	CHROMABEAMS LED 350
BEAM TYPES	NEMA4, NEMA5, NEMA6, NEMA7
APPLICATION	Indoor/Outdoor Sports Lighting
IP GRADE	IP66
AMBIENT TEMPERATURE	Suitable for use in 122° F

MECHANICAL

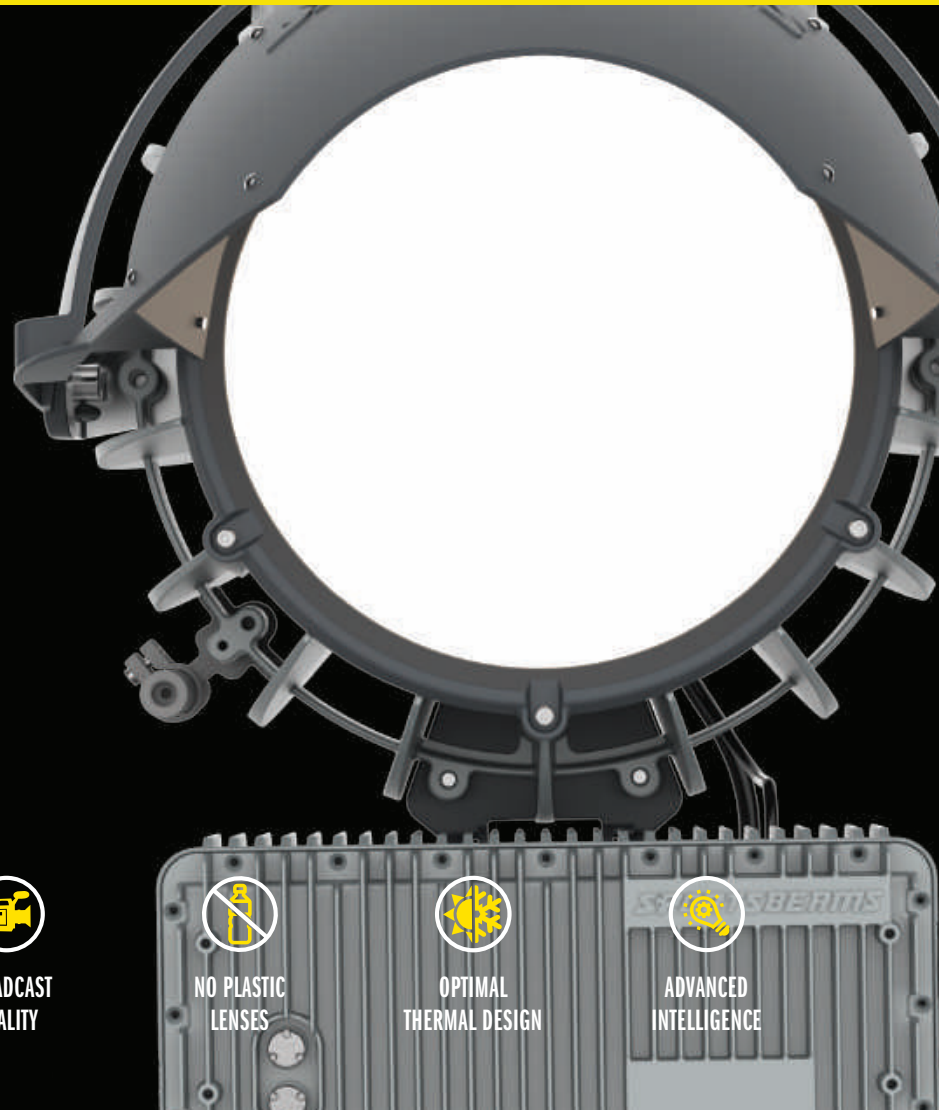
DIMENSIONS	17.75" x 26" x 15.75"
MOUNTING	Yoke Mount
YOKE MATERIAL	High Grade Steel
PCB MATERIAL	MCPCB
LAMP HOUSING MATERIAL	Aluminum Alloy
LENS MATERIAL	Tempered Glass
LENS TYPE	Transparent & Diffusive
FIXTURE WEIGHT	37 lbs
WIND LOAD	EPA @ front = .82 with visor

POWER SUPPLY

INPUT	Voltage Range	90V - 305V
	Frequency Range	50-60 Hz
	PF	>0.95
	THD	<20%
	Inrush Current	<30A
	Rated Power with Fixture	320W
	Maximum Power	320W
OUTPUT	DC Voltage	48V
	Current Range	6.5A
PROTECTION	Overload	YES
	Over Voltage	YES
	Over Temperature	YES
	IP -Grade	IP-66
	Surge Protection	L-N 4000V, LN-PE 6000V

LIGHT ENGINE

CCT	1800k to 10000k (tunable)
CRI	70 80 90 (option)
LUMINAIRE EFFICIENCY	≥130LM/W (70CRI)
DELIVERED LUMENS	42,000
FLICKER	<1%
DIMMING	2~100%
LUMEN MAINTENANCE (LED)	L70 ≥100,000 hrs
DIMMING RESOLUTION	<1W



FIELD LED 600

**TOUGH. SIMPLE.
EFFICIENT.**



COLOR TUNABLE
WHITE



GLARE-FREE



BROADCAST
QUALITY



NO PLASTIC
LENSES



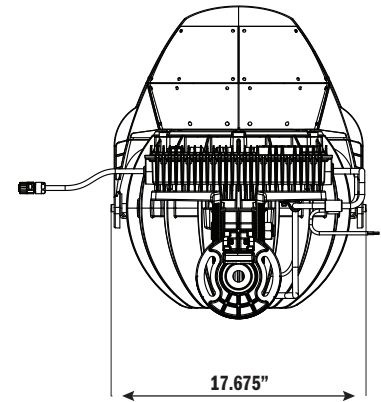
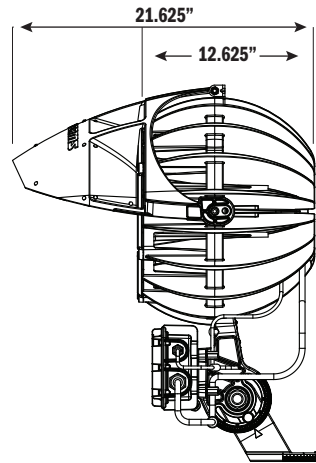
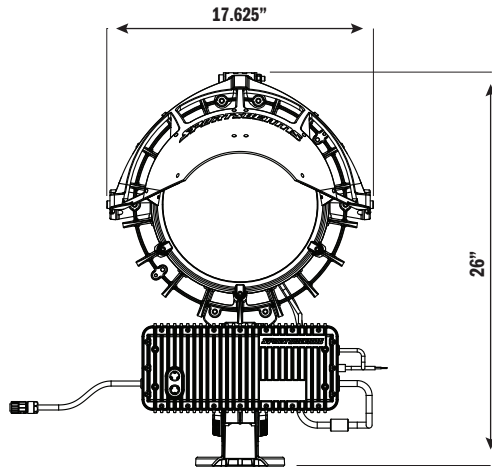
OPTIMAL
THERMAL DESIGN



ADVANCED
INTELLIGENCE

- 550W LED illumination
- Available in 1800k to 5700k
- Built-in over temperature protection
- 69,200+ lumens delivered
- 70 CRI - 90 CRI
- No Plastics in Light Path, or Housing

DIMENSIONS



GENERAL SPECIFICATIONS

PRODUCT NAME	FIELD LED 600
BEAM TYPES	NEMA4, NEMA5, NEMA6, NEMA7
APPLICATION	Indoor/Outdoor Sports Lighting
IP GRADE	IP66
AMBIENT TEMPERATURE	Suitable for use in 122° F
CERTIFICATIONS	CE, ROHS, LM79, 3G, UL, ik08, CB, KC

MECHANICAL

DIMENSIONS	12.625" x 26" x 17.675"
MOUNTING	Yoke Mount
YOKE MATERIAL	High Grade Steel
PCB MATERIAL	MCPCB
LAMP HOUSING MATERIAL	Aluminum Alloy
LENS MATERIAL	Tempered Glass
LENS TYPE	Transparent & Diffusive
FIXTURE WEIGHT	37 lbs
WIND LOAD	EPA @ front = .82 with visor

POWER SUPPLY

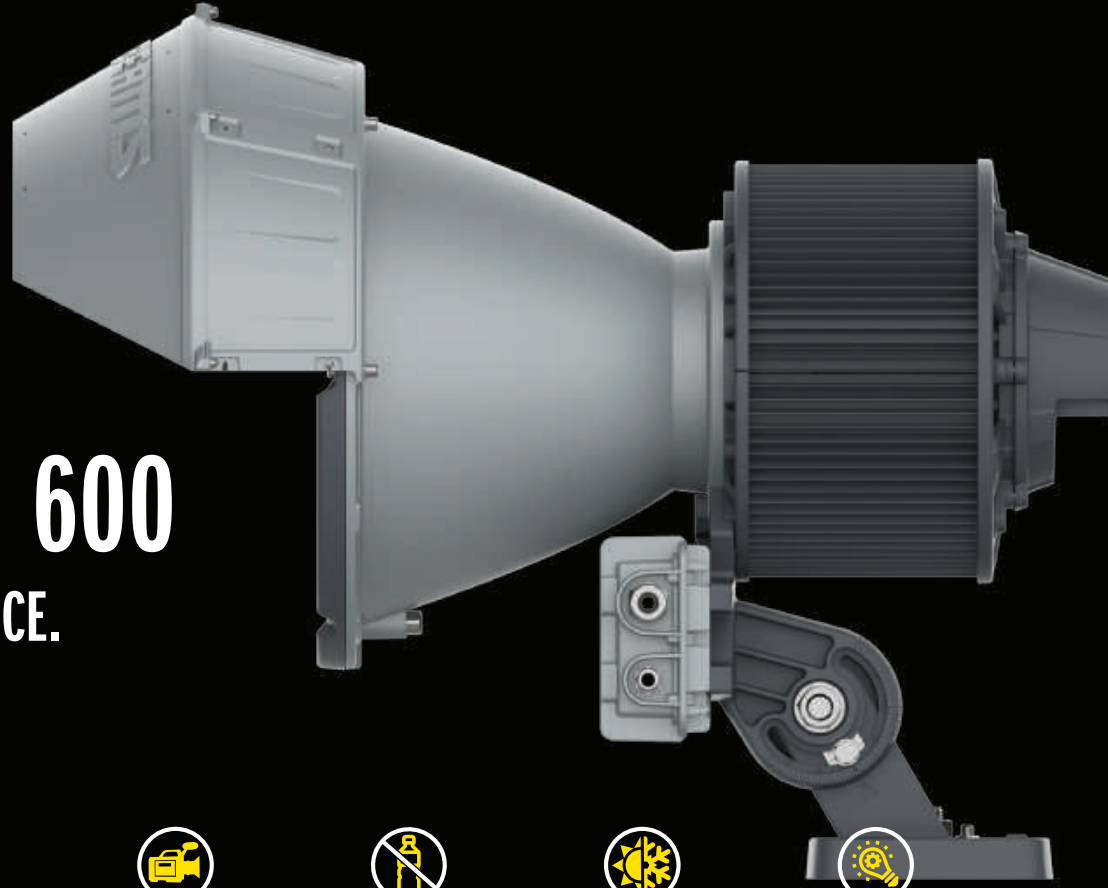
INPUT	Voltage Range	177V - 305V
	Frequency Range	50-60 Hz
	PF	>0.90
	THD	<15%
	Inrush Current	<30A
	Rated Power with Fixture	550W
	Maximum Power	550W
OUTPUT	DC Voltage	48V
	Current Range	11A
PROTECTION	Overload	YES
	Over Voltage	YES
	Over Temperature	YES
	IP -Grade	IP-66
	Surge Protection	L-N 5,500V, LN-PE 11,000V

LIGHT ENGINE

CCT	2200k to 6500k (option)
CRI	70 80 90 (option)
LUMINAIRE EFFICIENCY	≥126LM/W (70CRI)
DELIVERED LUMENS	69,200
FLICKER	<1%
DIMMING	2~100%
LUMEN MAINTENANCE (LED)	L70 ≥=100,000 hrs
DIMMING RESOLUTION	<1W

ARENA LED 600

SERIOUS INTELLIGENCE.
SERIOUS POWER.



COLOR TUNABLE
WHITE



GLARE-FREE



BROADCAST
QUALITY



NO PLASTIC
LENSES



OPTIMAL
THERMAL DESIGN

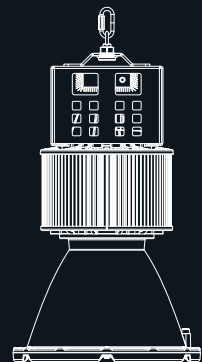
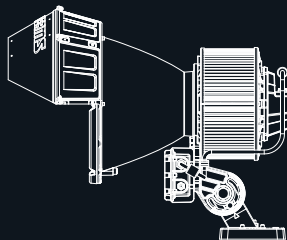
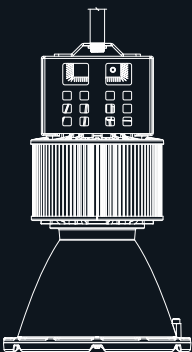


ADVANCED
INTELLIGENCE

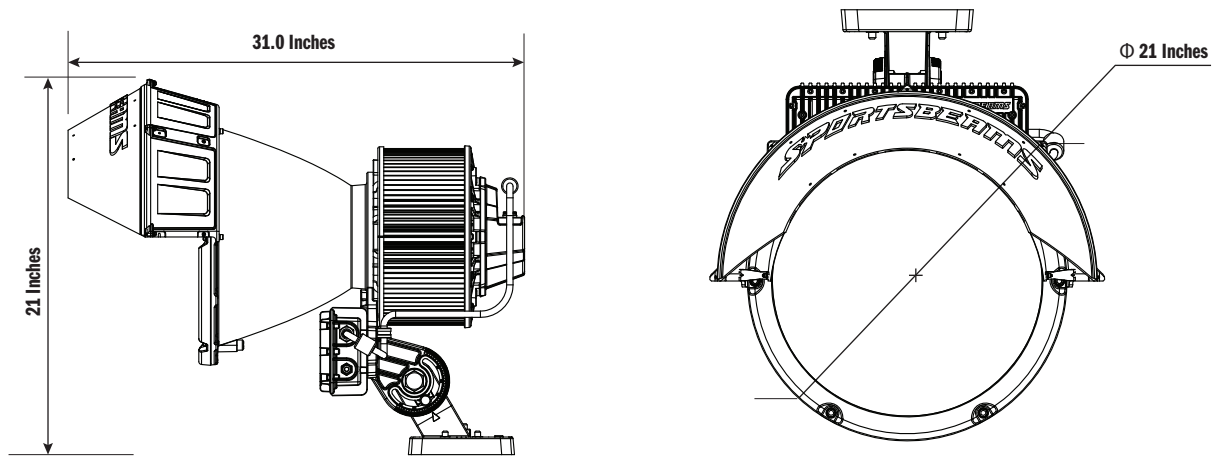
- 600W LED illumination
- Patented cooling system
- Built-in over temperature protection

- 67,000+ lumens
- 70 CRI - 90 CRI

- No Plastics in Light Path, or Housing
- DMX Controllable



DIMENSIONS



GENERAL SPECIFICATIONS

PRODUCT NAME	ARENA LED 600
BEAM TYPES	NEMA3, NEMA4, NEMA5, NEMA6
APPLICATION	Indoor/Outdoor Sports Lighting
IP GRADE	IP66
AMBIENT TEMPERATURE	Suitable for use in 122 ° F
CERTIFICATIONS	CE, ETL, ROHS, LM79, 3G, UL, ik08, CB, KC

MECHANICAL

DIMENSIONS	31" x 21" x 21"
MOUNTING	Yoke Mount
YOKE MATERIAL	High Grade Steel
PCB MATERIAL	MCPCB
LAMP HOUSING MATERIAL	Aluminum Alloy
LENS MATERIAL	Tempered Glass
LENS TYPE	Transparent & Diffusive
FIXTURE WEIGHT	39 lbs
WIND LOAD	EPA @ front = 1.73 with visor

POWER SUPPLY

INPUT	Voltage Range	177V - 305V
	Frequency Range	50-60 Hz
	PF	>0.98
	THD	<15%
	Inrush Current	<30A
	Rated Power with Fixture	600W
	Maximum Power	630W
OUTPUT	DC Voltage	48V
	Current Range	13A
PROTECTION	Overload	YES
	Over Voltage	YES
	Over Temperature	YES
	IP -Grade	IP-66
	Surge Protection	L-N 4000V, LN-PE 6000V

LIGHT ENGINE

CCT	2700k to 6500k (option)
CRI	70 80 90 (option)
LUMINAIRE EFFICIENCY	≥105LM/W (70CRI)
DELIVERED LUMENS	67,233
FLICKER	<1%
DIMMING	0~100%
LUMEN MAINTENANCE (LED)	L70 ≥=100,000 hrs
DIMMING RESOLUTION	<1W



FIELD LED 800

MORE POWER.
MORE COOLING.



COLOR TUNABLE
WHITE



GLARE-FREE



BROADCAST
QUALITY



NO PLASTIC
LENSES



ACTIVE COOLING
SYSTEM

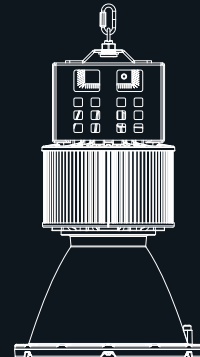
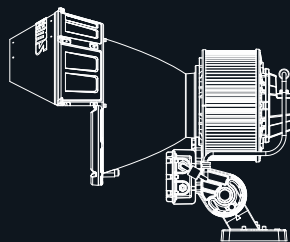
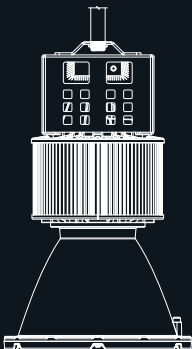


ADVANCED
INTELLIGENCE

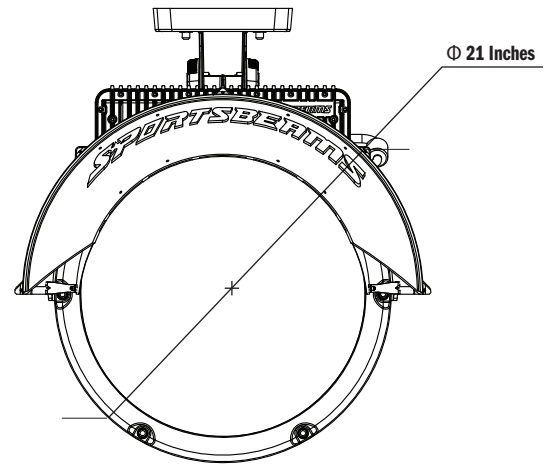
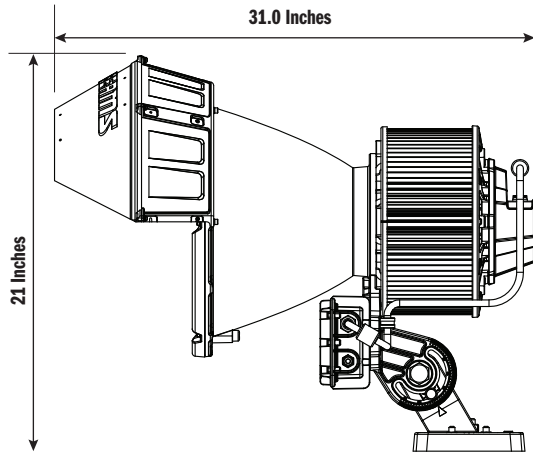
- 800W LED illumination
- Patented cooling system

- 86,000+ lumens
- 70 CRI - 90 CRI

- No Plastics in Light Path, or Housing
- DMX Controllable



DIMENSIONS



GENERAL SPECIFICATIONS

PRODUCT NAME	FIELD LED 600
BEAM TYPES	NEMA4, NEMA5, NEMA6, NEMA7
APPLICATION	Indoor/Outdoor Sports Lighting
IP GRADE	IP66
AMBIENT TEMPERATURE	Suitable for use in 122 ° F
CERTIFICATIONS	CE, ETL, ROHS, LM79, 3G, UL, ik08, CB, KC

MECHANICAL

DIMENSIONS	31" x 21" x 21"
MOUNTING	Yoke Mount
YOKE MATERIAL	High Grade Steel
PCB MATERIAL	MCPCB
LAMP HOUSING MATERIAL	Aluminum Alloy
LENS MATERIAL	Tempered Glass
LENS TYPE	Transparent & Diffusive
FIXTURE WEIGHT	40 lbs
WIND LOAD	EPA @ front = 1.73 with visor

POWER SUPPLY

INPUT	Voltage Range	177V - 305V
	Frequency Range	50-60 Hz
	PF	>0.95
	THD	<15%
	Inrush Current	<30A
	Rated Power with Fixture	800W
	Maximum Power	830W
OUTPUT	DC Voltage	48V
	Current Range	17A
PROTECTION	Overload	YES
	Over Voltage	YES
	Over Temperature	YES
	IP -Grade	IP-66
	Surge Protection	L-N 4,000V, LN-PE 11,000V

LIGHT ENGINE

CCT	2700k to 6500k (option)
CRI	70 80 90 (option)
LUMINAIRE EFFICIENCY	≥103LM/W (70CRI)
DELIVERED LUMENS	86,469
FLICKER	<1%
DIMMING	0~100%
LUMEN MAINTENANCE (LED)	L70 ≥=100,000 hrs
DIMMING RESOLUTION	<1W

CHROMABEAMS LED 900

OUR MOST ADVANCED,
MOST SPECTACULAR LIGHT.



COLOR TUNABLE
WHITE



FULL
PRE-MIXED RGB



GLARE-FREE



BROADCAST
QUALITY



NO PLASTIC
LENSES



ACTIVE COOLING
SYSTEM

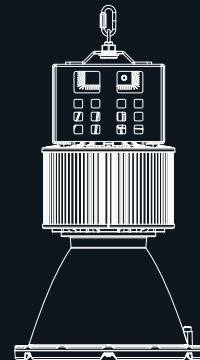
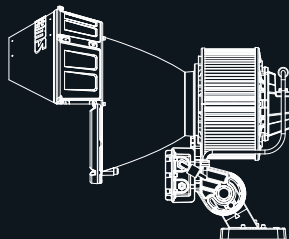
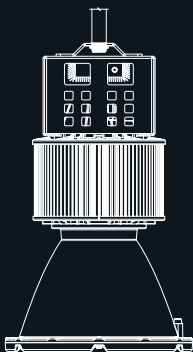


ADVANCED
INTELLIGENCE

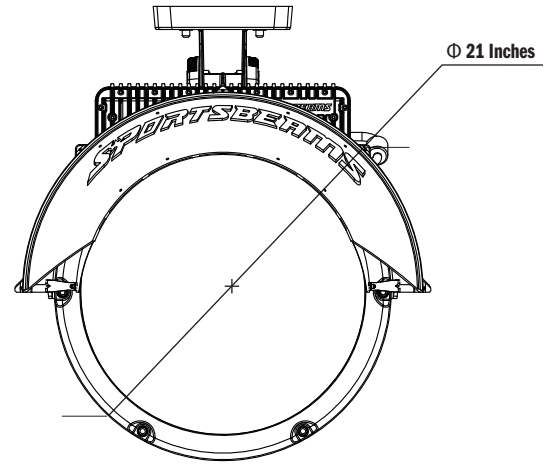
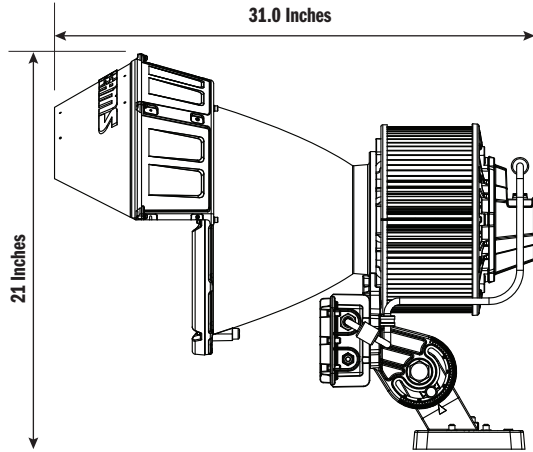
- 900W LED illumination
- Full RGB Colored Lights
- Color Tunable White Lights

- Patented cooling system
- 91,000+ lumens
- 70 CRI - 90 CRI

- No Plastics in Light Path, or Housing
- DMX Controllable



DIMENSIONS



GENERAL SPECIFICATIONS

PRODUCT NAME	CHROMABEAMS LED 900
BEAM TYPES	NEMA3, NEMA4, NEMA5
APPLICATION	Indoor/Outdoor Sports Lighting
IP GRADE	IP66
AMBIENT TEMPERATURE	Suitable for use in 122 ° F
CERTIFICATIONS	CE, ETL, ROHS, LM79, 3G, UL, ik08, CB, KC

MECHANICAL

DIMENSIONS	31" x 21" x 21"
MOUNTING	Yoke Mount
YOKE MATERIAL	High Grade Steel
PCB MATERIAL	MCPCB
LAMP HOUSING MATERIAL	Aluminum Alloy
LENS MATERIAL	Tempered Glass
LENS TYPE	Transparent & Diffusive
FIXTURE WEIGHT	55 lbs
WIND LOAD	EPA @ front = 1.73 with visor

POWER SUPPLY

INPUT	Voltage Range	177V - 305V
	Frequency Range	50-60 Hz
	PF	>0.95
	THD	<15%
	Inrush Current	<30A
	Rated Power with Fixture	885W
	Maximum Power	885W
OUTPUT	DC Voltage	48V
	Current Range	17A
PROTECTION	Overload	YES
	Over Voltage	YES
	Over Temperature	YES
	IP -Grade	IP-66
	Surge Protection	L-N 5,500V, LN-PE 11,000V

LIGHT ENGINE

CCT	1800k to 10000k (tunable)
CRI	70 80 90 (option)
LUMINAIRE EFFICIENCY	≥103LM/W (70CRI)
DELIVERED LUMENS	91,339
FLICKER	<1%
DIMMING	2~100%
LUMEN MAINTENANCE (LED)	L70 ≥=100,000 hrs
DIMMING RESOLUTION	<1W

SPORTS

PROFESSIONAL

- With a top-tier portfolio of lighting state-of-the-art stadiums, Sportsbeams is quickly making a name for ourselves in the professional sports industry.
- While there are a few sports lighting fixtures that combine white and colored light, the innovative technology of the Sportsbeams Chromabeams is the most advanced version, sold at a price that allows stadiums to equip every single fixture with this technology for less than the cost of competing, simple and unimpressive white LED fixtures.
- The lighting possibilities for halftime show and sold-out mega concerts are endless, as any experienced stage lighting professional can create an ambitious, one-of-a-kind light show with rapid speed and ease, while matching the exact mood required for the performance on the field.

COLLEGE

- Athletes can see the action with our lights. Our single, glass optic lights every playing surface evenly with smooth, clear light. No other LED sports light on the market can compare.
- Sportsbeams fixtures have the perfect lighting solutions for any collegiate project. From Division I powerhouse arenas to community college intramural fields, we cater to your specific needs no matter the size or scope of the installation.

HIGH SCHOOL

- With competitive pricing on each of our light fixtures, there's no need to settle on an inferior product or brand. Your high school athletes can enjoy a professional level playing experience with our advanced glare and unbelievable visual acuity.
- Whether its football stadiums, basketball courts, softball fields and tennis courts, our diverse range of project experience makes us a leader in the high school sports lighting industry.



APPLICATIONS

RETROFIT

WHY RETROFIT?

- Our fixtures are designed to be a better than 1-for-1 replacement for standard HID's. Plus, because our fixtures are lighter and have a better wind load than the HID's they are replacing, we can often add more fixtures on an existing pole.
- Most galvanized steel and cement poles are designed to last for 50+ years. With the right LED fixture, there's no reason to replace the poles.

WHAT WE PROVIDE

- Fixtures w/visors
- New cross arms to mount on existing poles
- New control/power distribution boxes for each pole
- Intellibeams Light Server for wired or wireless DMX-compatible control

AREA LIGHTING

AIRPORTS

- What's good for athletes is good for pilots and ground crew. They need to get work done without getting blinded. Our lights provide incredible illumination without the glare using a patented single lens technology and precise beam control.
- As part of our Intellibeams system, every light that we make comes with advanced intelligence that allows you to control the lights and receive complete status reports. Each fixture has its own MAC address and will be DMX controllable.
- We can match color temperature of high-pressure sodium vapor for fog penetration or raise the color temperature for a more modern look.

PORTS & YARDS

- Safety First: There's no better reason to use our light than for the safety of your crew on the ground. Our lights turn on instantly and provide better light than any other light on the market.
- Night After Night for Years: Gone are the bad old days of continuing electro-mechanical failures. LED is here to change that. Sportsbeams is here to improve significantly on regular LED. Our products are built stronger, last longer and provide a much better glare-free light.
- Rugged Like No Other: Life at the port is not easy. Strong winds, salty mist, electrical surges and more. Each of our products is lab tested and proven to be able to handle the harsh environment at any port.

Please visit www.sportsbeams.com for additional information as well as news and updates.

If you have any questions, please contact us at

1.888.905.6680

SPORTSBEAMS

SPORTSBEAMS LIGHTING, INC. © 2020