

SPORTSBEAMS

CHROMABEAMS LED 350

FULL COLOR. SPORTS WHITE.
ALL IN ONE FIXTURE.



COLOR TUNABLE
WHITE



FULL
PRE-MIXED RGB



GLARE-FREE



BROADCAST
QUALITY



NO PLASTIC
LENSES

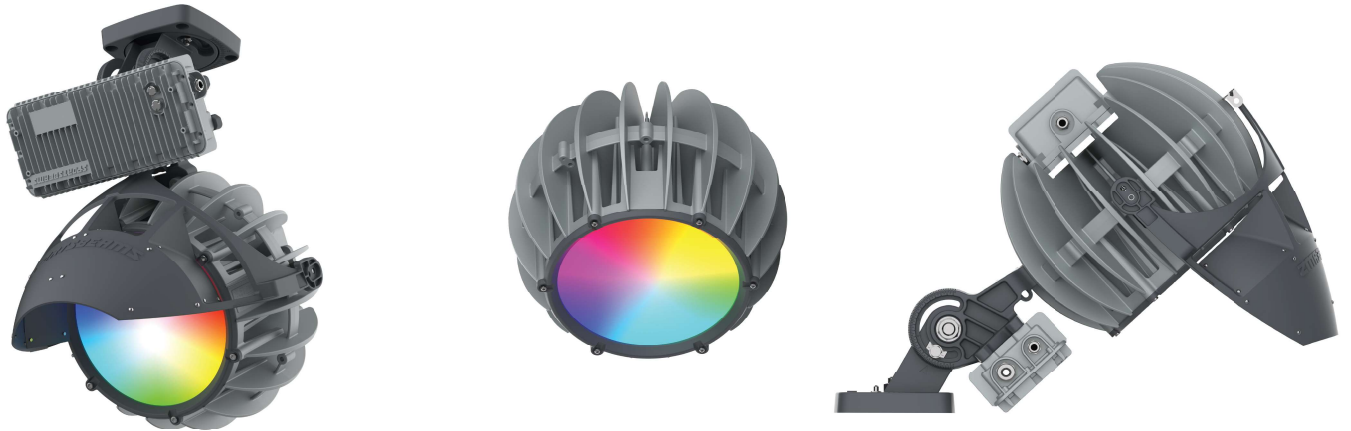


OPTIMAL
THERMAL DESIGN



ADVANCED
INTELLIGENCE





KEY FEATURES

- 320W LED illumination
- Up to 41,000+ lumens delivered
- Color Tunable from 1800K to 10000K
- Full RGB
- Direct DMX controllability to each fixture
- Glare-reducing, patented single glass optic for even field lighting
- High 90+ CRI color fidelity option
- Built-in over temperature protection
- IP-66 weather-tight housing & system
- 120,000+ hour rated LEDs
- IP-67 proprietary power supply with surge protection

SPORTSBEAMS

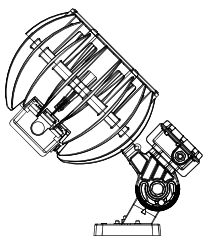
CHROMABEAMS LED 350

RGB-AW LED Architectural & Sports Lighting Fixture

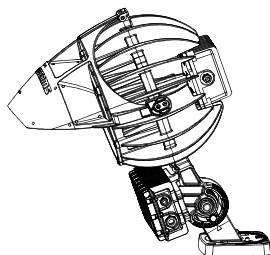
TYPICAL INSTALLATIONS

- Convention Center Halls
- Gymnasiums and Auditoriums
- Stadium Egress Lighting
- Municipal Sports Fields
- Building Wall Washes
- High Mast

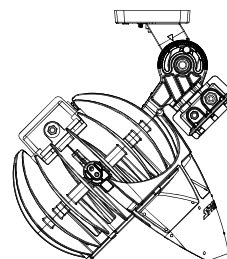
MOUNTING OPTIONS



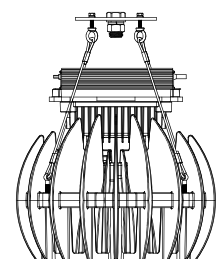
TOP MOUNT UP



TOP MOUNT DOWN

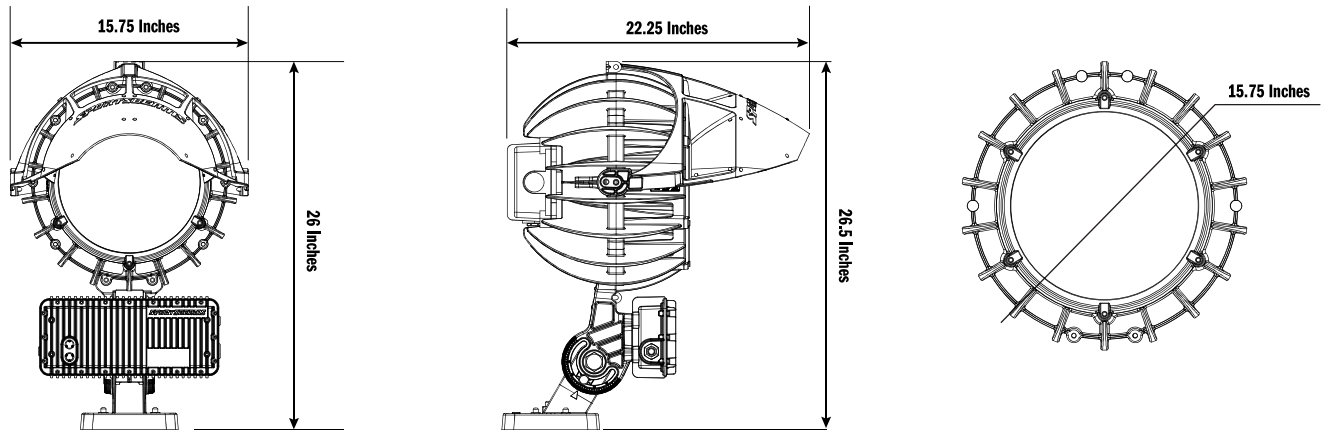


UNDERSLUNG



PENDANT MOUNT

DIMENSIONS



TECHNICAL SPECIFICATIONS¹

LIGHT & OPTICS

LUMEN OUTPUT RANGE	28,809 ~ 41,307
LUMEN-TO-WATT RANGE	90 ~ 129 lm/W
CRI/TLCI OPTIONS ²	75/75 90/85
EFFECTIVE CCT RANGE	4000K ~ 5700K
FULL CCT RANGE	1800K ~ 10,000K
NEMA OPTIONS	4/5/6/7

ELECTRICAL

SYSTEM POWER ³	320W
FREQUENCY RANGE	47~63 Hz
INPUT VOLTAGE (LOW VOLTAGE)	90V ~ 305V
INPUT VOLTAGE (HIGH VOLTAGE)	249V ~ 528V
DC VOLTAGE	48V
INPUT RANGE	6.7A MAX
POWER FACTOR	0.99 @ 115V / 0.94 @ 277V
THD	<20%
INRUSH CURRENT	<75A
ELECTRICAL CERTIFICATIONS	FCC, CE, ETL, IK08, CB, KC, UL 924
SURGE PROTECTION	L-L 5kV ~ L-PE 10kV
OVER TEMPERATURE PROTECTION	AUTOMATIC RECOVERY
OVER VOLTAGE PROTECTION	RECOVERY AFTER POWER CYCLE
OVER LOAD PROTECTION:	AUTOMATIC RECOVERY

CONSTRUCTION

OPERATING TEMPERATURE RANGE	-40°C to +40°C
USAGE ENVIRONMENTS	INDOOR, OUTDOOR
MOUNTING OPTIONS	PEDESTAL, PENDANT
ENVIRONMENTAL CERTIFICATIONS	ROHS, FCC, SALT SPRAY (MIL-STD-810)
VIBRATION	ANSI C136.31-2010 3G
EFFECTIVE PROJECTED AREA (EPA)	.82 with or without visor
APPROXIMATE WEIGHT ⁴	37lbs

NOTES

(1) Specifications are subject to change without notice
 (2) Values are +/- 5%

(3) Values are +/- 4% when fixture is operated at 25°C ambient
 (4) Weight may vary depending on mounting bracket

LUMEN CHART

NEMA	NATIVE TEMP	CRI	LUMENS
4	4000K	70	41037
4	4000K	80	37123
4	4000K	90	33208
5	4000K	70	40570
5	4000K	80	36700
5	4000K	90	32830
6	4000K	70	38000
6	4000K	80	34375
6	4000K	90	30751
7	4000K	70	35601
7	4000K	80	32205
7	4000K	90	28809
4	5000K	70	41037
4	5000K	80	37123
4	5000K	90	33208
5	5000K	70	40570
5	5000K	80	36700
5	5000K	90	32830
6	5000K	70	38000
6	5000K	80	34375
6	5000K	90	30751
7	5000K	70	35601
7	5000K	80	32205
7	5000K	90	28809
4	5700K	70	41037
4	5700K	80	37123
4	5700K	90	33208
5	5700K	70	40570
5	5700K	80	36700
5	5700K	90	32830
6	5700K	70	38000
6	5700K	80	34375
6	5700K	90	30751
7	5700K	70	35601
7	5700K	70	32205
7	5700K	70	28809

COLOR LUMENS

COLOR	LUMENS
RED	1160lm
GREEN	2500lm
BLUE	620lm

CHROMABEAMS LED 350



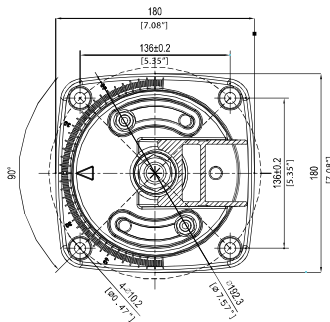
ORDERING MATRIX

BRAND	FAMILY	MODEL	NEMA TYPE	NATIVE CCT	CRI	INPUT VOLTAGE	MOUNT	FINISH
S	350	C	4	5700	75	L	S	G

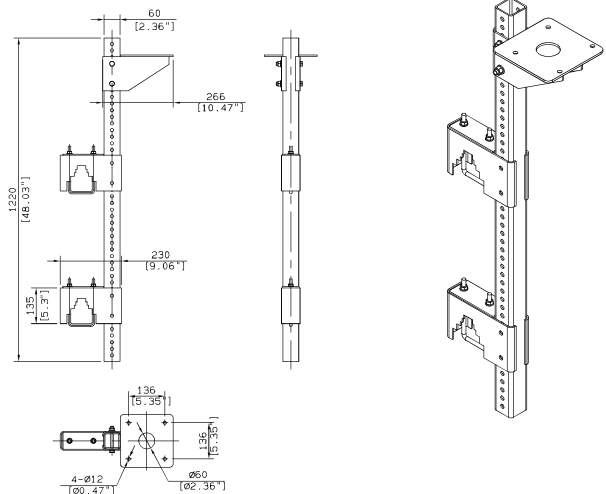
M = MONO **4** = 4H x 4V **3000** = 3000K **75** = 75CRI **L** = 176V - 305V **S** = Standard **G** = Gray
C = CHROMA **5** = 5H x 5V **4000** = 4000K **90** = 90CRI **H** = 249V - 528V **P** = Pendant **BK** = Black
 6 = 6H x 6V **5000** = 5000K
 7 = 7H x 7V **5700** = 5700K **W** = White

MOST COMMON SKU
S350-C-4-5700-75-L-S-G

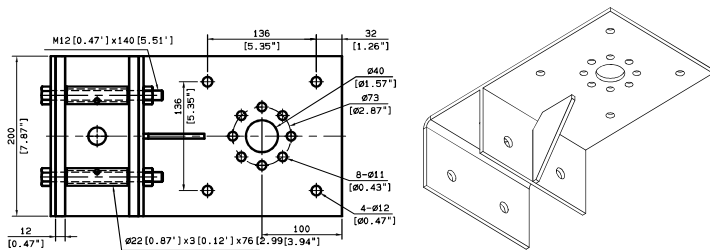
FIXTURE BASE



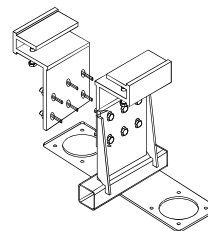
CATWALK MOUNT



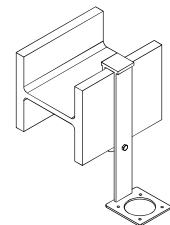
RETROFIT CROSS ARM CLAMP



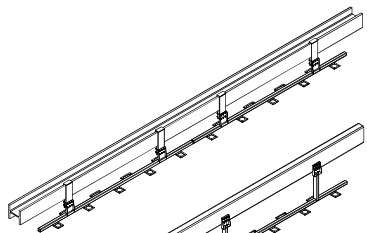
STANDARD I-BEAM MOUNT



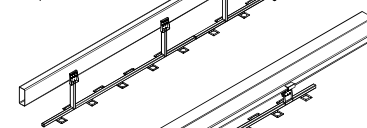
HORIZONTAL I-BEAM MOUNT



HORIZONTAL I-BEAM MOUNT



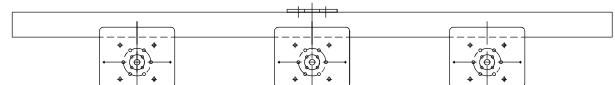
RECTANGULAR BEAM MOUNT



I-BEAM MOUNT



3-FIXTURE CROSS ARM FOR POLE



UL Listing: Suitable for wet locations.