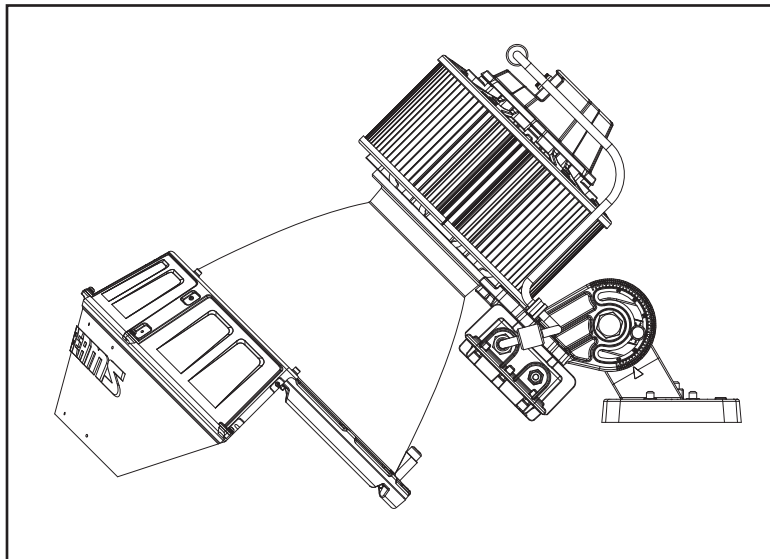


CHROMABEAMS/MONO LED 900



USER MANUAL

PLEASE READ THOROUGHLY BEFORE INSTALLATION

TABLE OF CONTENTS

INTRODUCTION1

SAFETY WARNINGS2

POWER REQUIREMENTS3-4

INSTALLATION

Installation Overview5

Aiming the Fixture6

Connecting Power & Data.....7

Power Warnings & Ratings8

CARE & MAINTENANCE9

TROUBLESHOOTING9

SUPPORT10

SPECIFICATIONS11

INTRODUCTION TO SPORTSBEAMS

Thank you for choosing Sportsbeams –The finest sports lighting fixture available. Unlike traditional sports lighting fixtures, the Sportsbeams Chromabeams LED 900 is a sophisticated and intelligent light that will change the way you view night time activities. With proper installation, care and maintenance, the 900 will provide high quality lighting for years to come.

We designed our fixture for easy installation and usage. Please read this manual thoroughly before attempting installation and operation. If you have any questions, please contact us at:

WWW.SPORTSBEAMS.COM

1.888.905.6680

For installation videos, diagrams, questions and more information, please go to:

www.sportsbeams.com/installation.html

Sportsbeams® is a registered trademark of Sportsbeams Lighting, Inc.

MODEL: S900-B-C-D-E
INPUT: 176 ~ 305VAC (480V OPT)

Designed by Sportsbeams. Made in China.

Visit www.sportsbeams.com for more information about this and other quality Sportsbeams products.

Sportsbeams.com ©2021 Sportsbeams, Inc.

Sportsbeams Chromabeams LED 900 is certified to be in compliance with many of the following safety directives:



SUITABLE FOR WET LOCATIONS CONVIENT AUX EMPLACEMENTS MOUILLÉS

WARNING – RISK OF FIRE OR ELECTRIC SHOCK

This device complies with part 15 of the FCC Rules. Operation is subject to the following two conditions: (1) This device may not cause harmful interference, and (2) this device must accept any interference received, including interference that may cause undesired operation.

Please visit www.sportsbeams.com for a complete listing of certifications for each fixture.

MODEL NOMENCLATURE

A	B	C	D
MODEL	LED TYPE	NEMA	CRI
S900	C	2	70
		3	80
	M	4	90
		5	
		6	

A	B	C	D
S900-C-3-80			

EXAMPLE MODEL NUMBER

GENERAL SAFETY WARNINGS



Please call Sportsbeams Customer Service at 888.905.6680 for any questions or concerns.

⚠ WARNING ⚠



1. All electrical work must conform to the National Electric Code (NEC) and all applicable local codes and ordinances.
2. Sportsbeams lighting should only be installed by qualified personnel. Please ensure that you have verified the safety of any existing power distribution systems before beginning installation. Failure to follow Operating Instructions may lead to death, Severe Injury, or Property Damage.

⚠ WARNING ⚠



Turn off power before performing any electrical or control work. FAILURE TO FOLLOW THIS WARNING MAY LEAD TO DEATH, SEVERE INJURY, OR PROPERTY DAMAGE.

DO NOT make or alter any open holes in the luminaire. Do not modify the luminaire.

⚠ WARNING ⚠



Follow all applicable safety procedures and use Personal Protective Equipment such as hardhats, safety glasses, reflective vests, electrical safety gloves, fall protection equipment and safety toe boots during the installation, operation, and maintenance of the luminaire. FAILURE TO FOLLOW THIS WARNING MAY LEAD TO DEATH, SEVERE INJURY, OR PROPERTY DAMAGE.

NEVER Risk eye injury! Eye protection is required at all times during the installation, operation, and maintenance of the luminaire. The high intensity light produced by the luminaire can cause severe damage to the eye if viewed directly at close range. Avoid being in front of a luminaire that is on or wear suitable light blocking protective eyewear such as welding goggles. Store luminaires and all other provided equipment in a clean, dry place, protected from dirt, water, and sunlight.

THIS PRODUCT MUST BE INSTALLED IN ACCORDANCE WITH THE APPLICABLE INSTALLATION CODE BY A PERSON FAMILIAR WITH THE CONSTRUCTION AND OPERATION OF THE PRODUCT AND THE HAZARDS INVOLVED

CE PRODUIT DOIT ÊTRE INSTALLÉ SELON LE CODE D'INSTALLATION PERTINENT, PAR UNE PERSONNE QUI CONNAÎT BIEN LE PRODUIT ET SON FONCTIONNEMENT AINSI QUE LES RISQUES INHÉRENTS

POWER REQUIREMENTS

Sportsbeams fixtures always include a driver. While it's possible that another driver may work with our fixture, using any driver besides the one specifically designed and engineered by Sportsbeams will VOID THE WARRANTY on this fixture.

⚠ WARNING ⚠

Failure to wire your fixture properly as suggested below can cause permanent damage to the fixture and/or can cause physical harm and even death. Installation should only be performed by a qualified electrician.

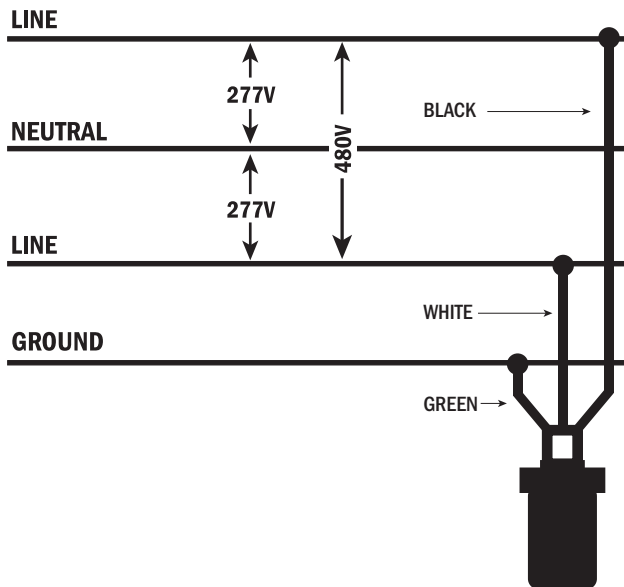
MINIMUM FUSE RATINGS

CIRCUIT VOLTAGE (VAC)	MINIMUM FUSE RATING (AMPS)
110	5
240	4
277	4
480	3

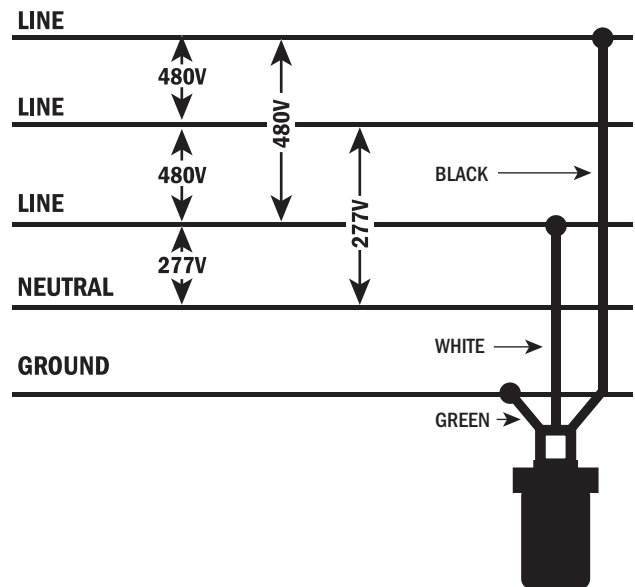
POWER SUPPLY REQUIREMENTS

FIXTURES	WATTS	INPUT	DC OUTPUT
1	900	176 ~ 305V (OPT 480V)	48V to 50V

Single-Phase: 480V



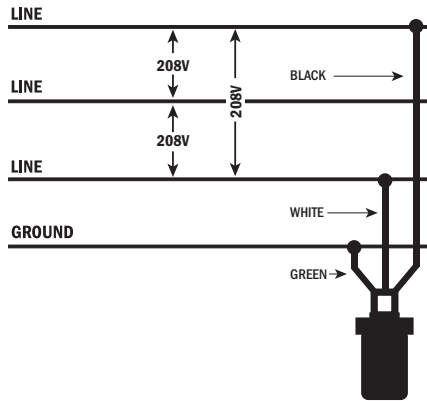
3-Phase: 480V



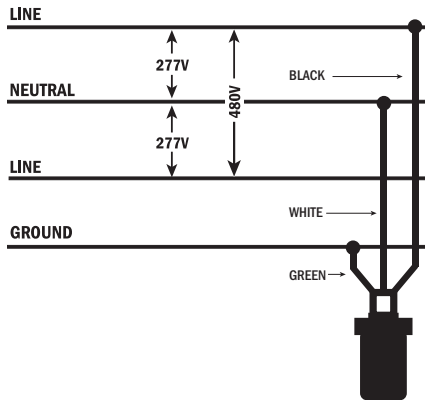
⚠ WARNING ⚠

Failure to wire your fixture properly as suggested below can cause permanent damage to the fixture and/or can cause physical harm and even death. Installation should only be performed by a qualified electrician.

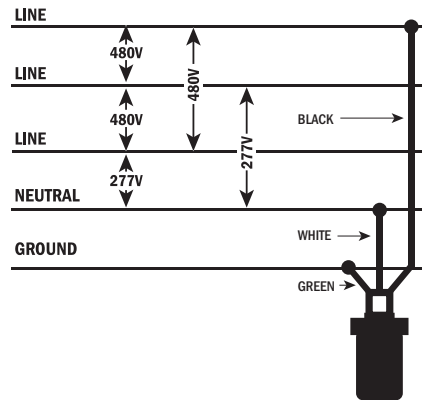
Three-Phase: 208V



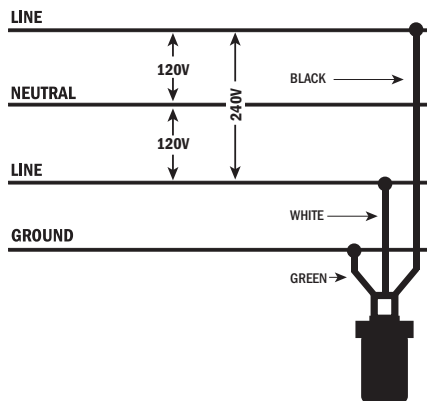
Single-Phase: 277V



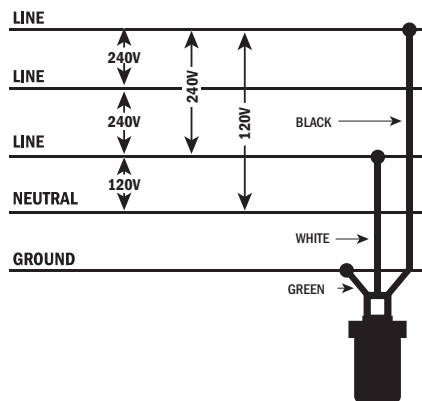
3-Phase: 277V



Single-Phase: 240V



3-Phase: 240V



The Sportsbeams Chromabeams LED 900 Fixture can be mounted on top of a mounting structure or underneath. The mounting structure may be a light pole cross arm, an indoor catwalk bracket, or other structural component that will hold the fixture firmly in place and ensure enough clearance to adjust fixture for the correct beam angle. This fixture is designed to be mounted and aimed in accordance to a proper light design to ensure consistent light coverage.

⚠ WARNING ⚠

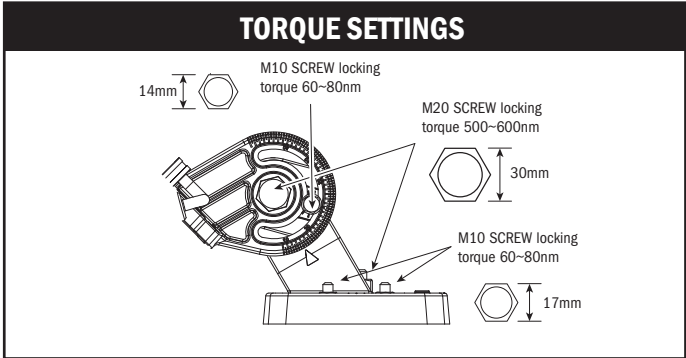
It is the responsibility of the installer to verify that all proposed mounting structures including poles, cross arms, catwalk brackets, and other mounting structures are certified to support the weight of the fixture, withstand wind loads, and meet all other applicable codes and regulations. FAILURE TO FOLLOW THIS WARNING MAY LEAD TO DEATH, SEVERE INJURY, OR PROPERTY DAMAGE.

Do not suspend any fixture by electrical or control wires, as these will not support the weight of the fixture, resulting in the potential for the fixture to fall and cause damage or injury. FAILURE TO FOLLOW THIS WARNING MAY LEAD TO DEATH, SEVERE INJURY, OR PROPERTY DAMAGE.



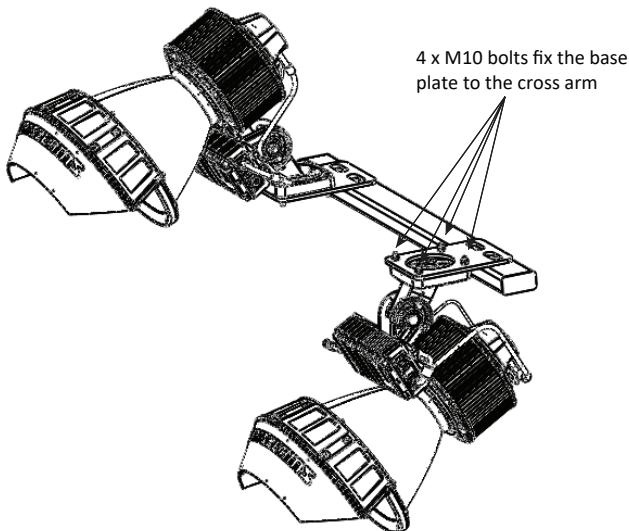
⚠ WARNING ⚠

An impact driver may be used on mounting hardware while the power is off, but vibration caused by power tools may damage the fixture. FAILURE TO FOLLOW THIS WARNING MAY LEAD TO FIXTURE INTERNAL DAMAGE AND FAILURE.



ATTACHING FIXTURES

Fixtures mount to our custom poles or provided adapter plates via four M10 bolts.



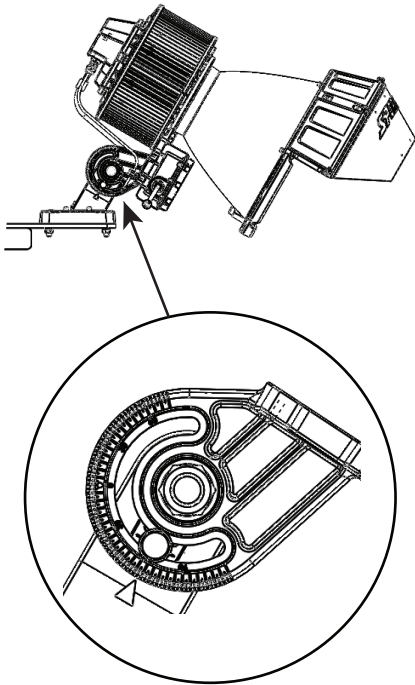
HARDWARE PROVIDED

Each fixture will contain the following hardware:

QTY	DESCRIPTION	PICTURE
4	COURSE THREAD BOLTS	
4	M10 FLAT WASHER	
4	M10 SPRING LOCK WASHER	
4	M10 HEX NUT	
1	SAFETY CABLE	

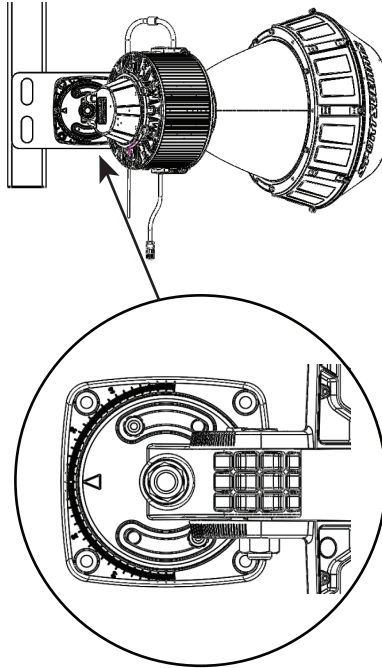
VERTICAL AIMING

Lift the fixture until the vertical dial matches the number on the provided aiming diagram and lock the bolts.



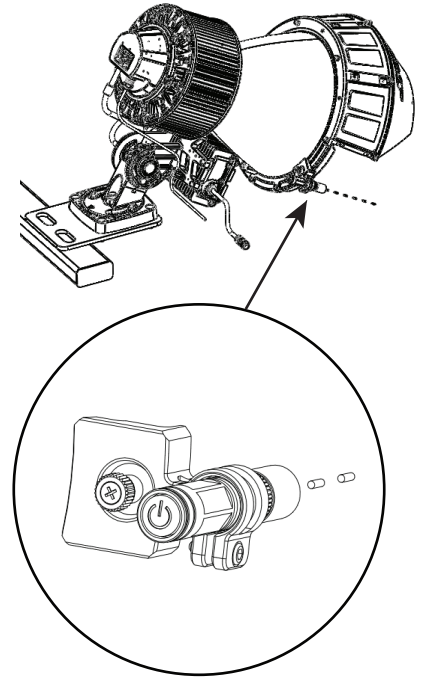
HORIZONTAL AIMING

Twist the fixture until the vertical dial matches the number on the provided aiming diagram and lock the bolts.



LASER AIMING

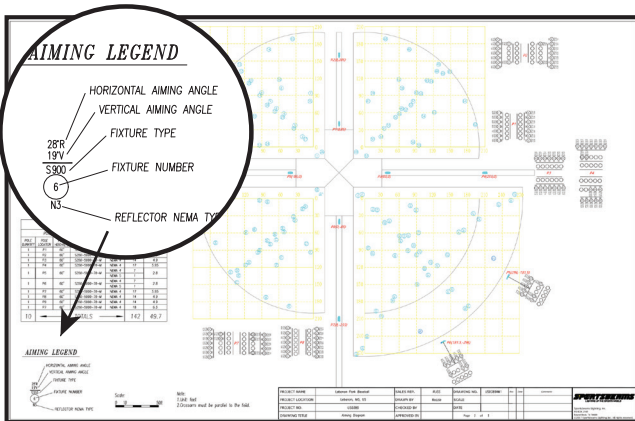
A laser aiming tool can be used to assist with precise aiming for a particular spot on the field.



PLEASE NOTE: Horizontal aiming should be performed while standing behind the fixture. Following the aiming diagram precisely should result in lighting output that matches the proposed lighting design.

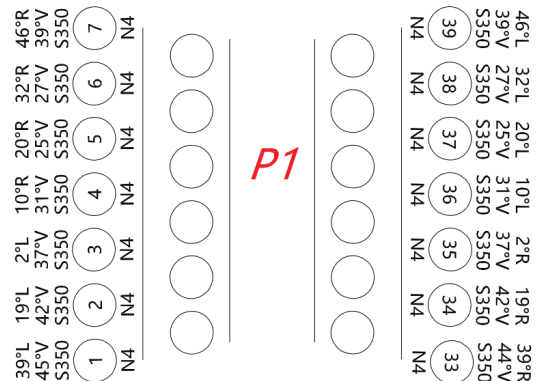
AIMING DIAGRAM SAMPLE

Sportsbeams will provide a precise aiming diagram for quick aiming of fixtures before the pole is lifted.



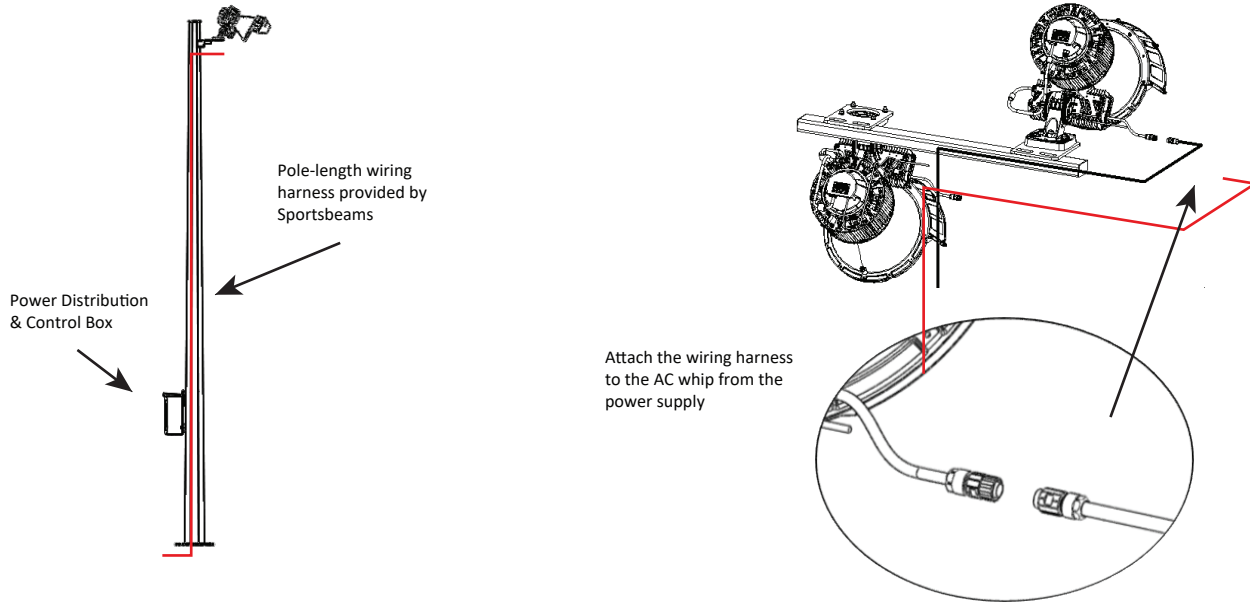
AIMING DIAGRAM DETAIL

The aiming diagram will give precise aiming numbers for every single fixture.

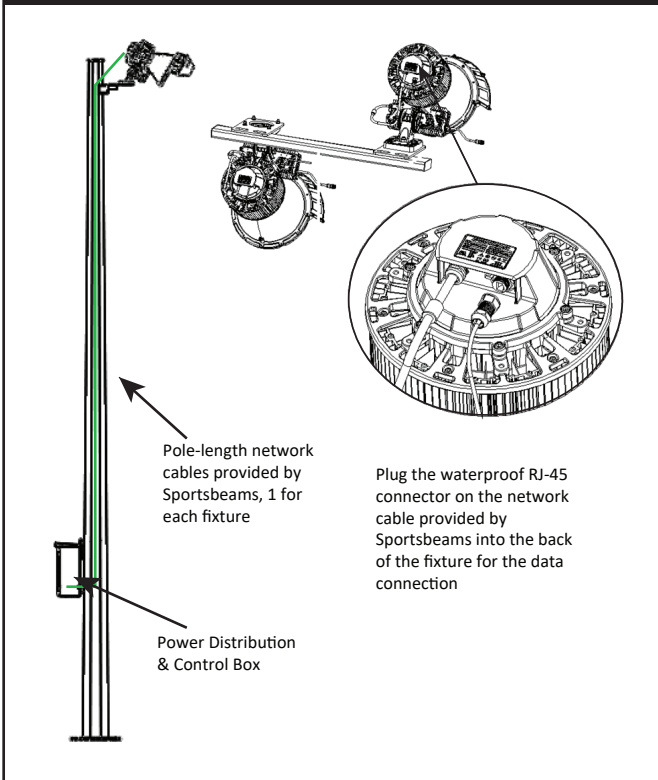


CONNECTING THE POWER

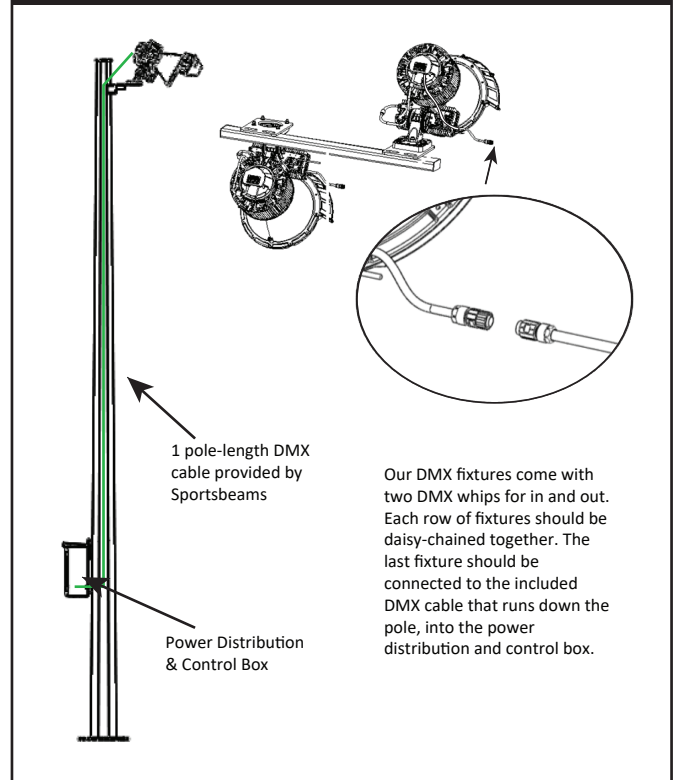
For new installations, we will provide a wiring harness and pre-wired cross arms. Once the fixtures are mounted, connect the AC whip from the fixture to the whip in the cross arm. Tighten then the quick connect securely.



ETHERNET DATA CABLE



DMX DATA CABLE



POWERING THE FIXTURE

⚠ WARNING ⚠

Never connect the Sportsbeams Chromabeams LED 900 fixture to an electrical system that is not grounded. Installing a fixture in an ungrounded electrical system could allow the metal housing to become energized in the event of an electrical short, resulting in the risk of electrical shock for anyone who comes into contact with the fixture. FAILURE TO FOLLOW THIS WARNING MAY LEAD TO DEATH, SEVERE INJURY, OR PROPERTY DAMAGE.

Do not suspend any fixture by electrical or control wires, as these will not support the weight of the fixture, resulting in the potential for the fixture to fall and cause damage or injury. FAILURE TO FOLLOW THIS WARNING MAY LEAD TO DEATH, SEVERE INJURY, OR PROPERTY DAMAGE.

Each fixture comes with a SOOW style 3C cable with 14AWG annealed stranded bare copper per ASTM B-174 with a minimum temperature range of -40°C to +90°C. Our cable is water resistant, UV rated/sunlight resistant, UL listed and CSA certified for indoor and outdoor use.

Any additional cables used to connect to this fixture must match the specifications listed above.

⚠ WARNING ⚠

NEVER connect the bare or green insulation ground wire to the black (HOT) current-carrying or white (NEUTRAL) supply wire, as this could energize the metal housing and create the risk of electrical shock. FAILURE TO FOLLOW THIS WARNING MAY LEAD TO DEATH, SEVERE INJURY, OR PROPERTY DAMAGE.

Do not damage or cut the wire insulation (covering) during installation. Do not permit wires to contact any surface having a sharp edge, as this may damage the wire insulation and create the risk of electrical shock. FAILURE TO FOLLOW THIS WARNING MAY LEAD TO DEATH, SEVERE INJURY, OR PROPERTY DAMAGE.

POWER INPUT

⚠ WARNING ⚠

Failure to wire your fixture properly as suggested can cause permanent damage to the fixture and/or can cause physical harm and even death. Installation should only be performed by a qualified electrician.

POWER RATINGS

MODEL	POWER	INPUT VOLTAGE	INPUT
S900-2-CCCC-DD-E	900W	176-305VAC (480V OPT)	3.2A
S900-3-CCCC-DD-E	900W	176-305VAC (480V OPT)	3.2A
S900-4-CCCC-DD-E	900W	176-305VAC (480V OPT)	3.2A
S900-5-CCCC-DD-E	900W	176-305VAC (480V OPT)	3.2A
S900-6-CCCC-DD-E	900W	176-305VAC (480V OPT)	3.2A

CARE & MAINTENANCE

All luminaires are prepared with a powder-coated finish. The finish on exterior luminaires may weather over time, depending on the environmental conditions at the installation site. Proper care of the luminaires will maintain their performance and appearance. Follow a regular maintenance schedule to retain optimal light output and thermal performance. Remove any dirt, leaves and other foreign debris from the luminaire housing. Wipe the optical lenses with a clean, dry, cotton cloth to remove dust and other contaminants. A non-abrasive polycarbonate cleanser may be used periodically.

WARNING

Do NOT use any abrasives such as car wax, brass cleaners or other polishes or chemicals. These may scratch, remove, or damage the protective coating, allowing moisture and pollutants to come into contact with the aluminum, possibly discoloring or pitting the finish.

WARNING



Turn off power before performing any electrical or control work. FAILURE TO FOLLOW THIS WARNING MAY LEAD TO DEATH, SEVERE INJURY, OR PROPERTY DAMAGE.

DO NOT make or alter any open holes in the luminaire. Do not modify the luminaire.

TROUBLESHOOTING

SYMPTOM	POSSIBLE CAUSE	CORRECTIVE ACTION
No light output	Power is off	Check if circuit power is on
	Bad wire connection	Check input wiring connections
	Control signal set to 0	Verify control signal
Fuse blows or circuit breaker trips	Crossed wires or a supply wire is grounding out	Check wiring connections
	Improperly sized fuse or breaker	Refer to minimum fuse ratings

CUSTOMER SUPPORT



Please call Sportsbeams Customer Service at 888.905.6680 for any questions or concerns.

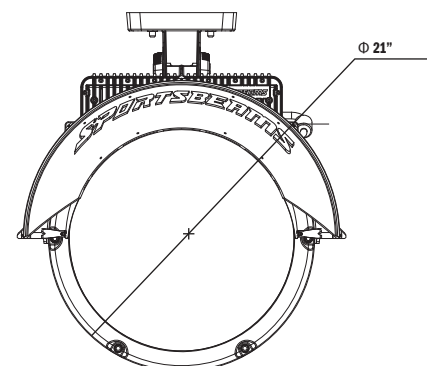
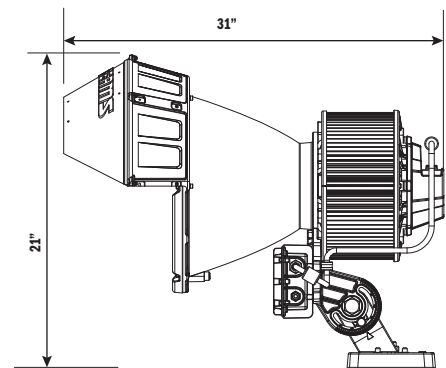
SPECIFICATIONS

General	
MODEL	S900
BEAM TYPES	NEMA3, NEMA4, NEMA5, NEMA6
APPLICATION	Indoor/Outdoor Sports Lighting
IP GRADE	IP66
AMBIENT TEMPERATURE	-40 ° F to +122 ° F
CERTIFICATIONS	CE, ETL, ROHS, LM79, 3G

Light Engine	
CCT (CHROMABEAMS)	1800k to 10000k (tunable)
CCT (MONO)	5000k
CRI	70 80 90 (option)
LUMINAIRE EFFICIENCY	≥128M/W (70CRI)
LUMENS (CHROMABEAMS)	86,469 (80CRI)
LUMENS (MONO N4)	112,631
FLICKER	<0.4%
DIMMING	0~100%
LUMEN MAINTENANCE (LED)	L80 ≥=100k hrs
DIMMING RESOLUTION	1W

Mechanical	
DIMENSIONS	21" x 21" x 31"
MOUNTING	Pedestal Mount
YOKE MATERIAL	Aluminum Alloy
PCB MATERIAL	MPCB & FR4
LAMP HOUSING MATERIAL	Aluminum Alloy
LENS MATERIAL	Tempered Glass
LENS TYPE	Transparent & Diffusive
FIXTURE WEIGHT	55 lbs
WIND LOAD	EPA @ front=1.93 (ft2)

Power Supply		
INPUT	Voltage range	Single Phase 176V-305V
	Frequency range	45-66 Hz
	PF	>0.95 @ 277V
	THD	<20%
	Inrush current	<30A
	Rated Power with Fixture	880W±80
OUTPUT	Maximum Power	930W
	DC Voltage	51V
PROTECTION	Current range	16.8A
	Overload	YES
	Over Voltage	YES
	Over Temperature	YES
	Surge Protection	L-N 5.5KV, L/N-PE 11KV



Warranties and Limitation of Liability

Please refer to www.sportsbeams.com/warranty for our terms and conditions.



This device complies with part 15 of the FCC Rules. Operation is subject to the following two conditions: (1) This device may not cause harmful interference, and (2) this device must accept any interference received, including interference that may cause undesired operation.

Changes or modifications not expressly approved by the party responsible for compliance could void the user's authority to operate the equipment.

SPORTSBEAMS

1.888.905.6680

©2021 Sportsbeams All Rights Reserved